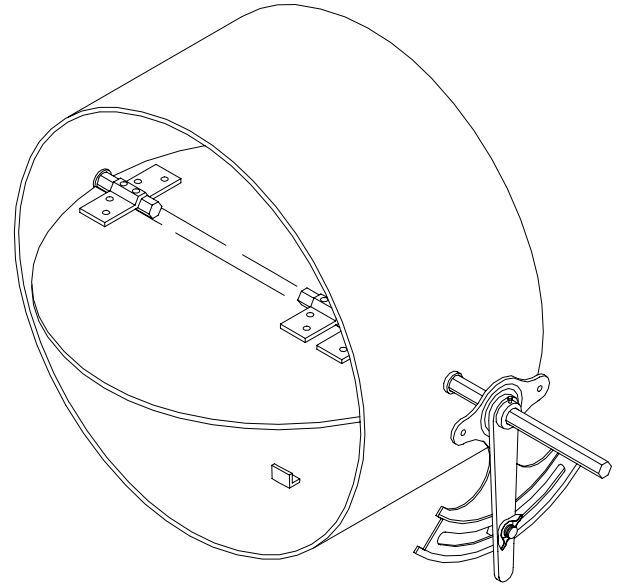


**CONTROL DAMPER - MODEL 610R**

**Design Features** – Economical Medium Duty Balancing Damper.

**STANDARD CONSTRUCTION**

- FRAME**  
4-1/2" deep, 16 gauge galvanized steel
- BLADES**  
20 gauge galvanized steel
- BLADE AXLES & BEARINGS**  
AXLE – 7/16" Plated hex  
BEARINGS – Bronze oil impregnated
- LINKAGE**  
Drive blade has a 1" to 3-1/2" extendable shaft to mount operator
- MAXIMUM VELOCITY & STATIC PRESSURE**  
2000 FPM @ 2" H<sub>2</sub>O
- MAXIMUM SIZE**  
24" diameter
- MINIMUM SIZE**  
4" diameter
- UNDERSIZED**  
1/8" under ordered size unless specified Exact or Actual
- FINISH**  
Mill
- OPERATOR**  
1/2" Manual locking hand quadrant shipped loose



**OPTIONAL CONSTRUCTION**

- FRAME** – Available in heavier galvanized steel construction up to 10 gauge
- BLADES** – Available in heavier galvanized steel construction up to 14 gauge
- SPECIFIED MATERIAL** – Available in Stainless, Aluminum or as requested
- BLADE SEALS** – Polyurethane blade edge seals
- JAMB SEALS** – 1/4" diameter plated rod
- SLEEVE AND DUCTWORK CONNECTION** – 10 ga. to 20 ga. galvanized steel to 30" in length. Factory can install access door, retaining angles, or flange connections.
- FINISH** – Paint is available
- OPERATOR** – Manual, electric or pneumatic, please consult operator listing

**SPECIAL PURPOSE CONSTRUCTION**

- Fully welded corner assembly
- Stand-off bracket for insulated duct application

DATE		ARCHITECT / ENGINEER			CUSTOMER
PROJECT					
ITEM	QTY	W	H	DESCRIPTION	