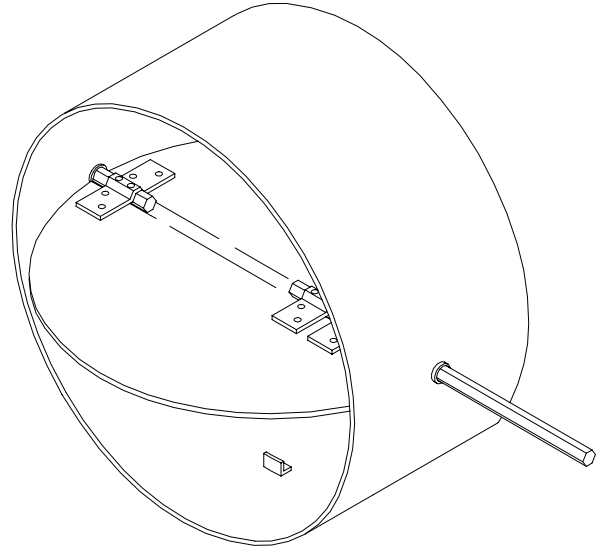


CONTROL DAMPER - MODEL 612R

Design Features – Economical round single blade control damper.

STANDARD CONSTRUCTION

- FRAME**
8" deep, 16 gauge galvanized steel
- BLADES**
16 gauge galvanized steel
- BLADE AXLES & BEARINGS**
AXLE – 7/16" Plated hex
BEARINGS – Bronze oil impregnated
- LINKAGE**
Drive blade has a 1" to 3-1/2" extendable shaft to mount operator
- MAXIMUM VELOCITY & STATIC PRESSURE**
2000 FPM @ 4" H₂O
- MAXIMUM SIZE**
24" diameter
- MINIMUM SIZE**
4" diameter
- UNDERSIZED**
1/8" under ordered size unless specified Exact or Actual
- FINISH**
Mill



OPTIONAL CONSTRUCTION

- FRAME** – Available in heavier galvanized steel construction up to 10 gauge
- BLADES** – Available in heavier galvanized steel construction up to 14 gauge
- SPECIFIED MATERIAL** – Available in Stainless, Aluminum or as requested
- BLADE SEALS** – Polyurethane blade edge seals
- JAMB SEALS** – 1/4" diameter plated rod
- SLEEVE AND DUCTWORK CONNECTION** – 10 ga. to 20 ga. galvanized steel to 30" in length. Factory can install access door, retaining angles, or flange connections.
- FINISH** – Paint is available
- OPERATOR** – Manual, electric or pneumatic, please consult operator listing

SPECIAL PURPOSE CONSTRUCTION

- Fully welded corner assembly
- Stand-off bracket for insulated duct application
- Direct drive

DATE	ARCHITECT / ENGINEER			CUSTOMER	
PROJECT					
ITEM	QTY	W	H	DESCRIPTION	



DEPENDABLE PRODUCTS SINCE 1955

SAFE-AIR/DOWCO

Engineering and General Offices

1855 South 54th Avenue, Cicero, Illinois 60804

Phone 708-652-9100 FAX 708-652-9158