

Drainable Blade Louver in 4" deep frame design • Model AEN-04

Design Features – Integral shutter acts as back draft damper. **USE AS INTAKE ONLY.** Louvers are designed to withstand inward and outward wind pressure up to 25 psf (100 mph).

STANDARD CONSTRUCTION

ALL MATERIAL – EXTRUDED ALUMINUM 6063-T5 (KB-45)

FRAME

AEN-04, 4" (102) deep, .081 ga. (2.1) extruded alum. in style #3.

BLADES

Fixed - AEN-04, 4" (102), .081" ga. (2.1) extruded alum, approx. spacing is 3-1/2" (89) @ 40°
Shutter - .050" extruded alum.

BLADE AXELS

3/16" (5) Diameter "delrin" pivot pins

SEALS

Polyurethane Foam blade edge seal

FASTENERS

#10 Plated steel screw

MAXIMUM SIZE

Unlimited, with mullions, structural bracing supplied by others

MAXIMUM FACTORY ASSEMBLY SIZE

60" W x 120" H (1524 x 3048) (allows for best handling)
(Type of finish may limit maximum single section)

MULLION

Visible

MINIMUM SIZE

12" W x 12" H (305 x 305)

UNDERSIZED

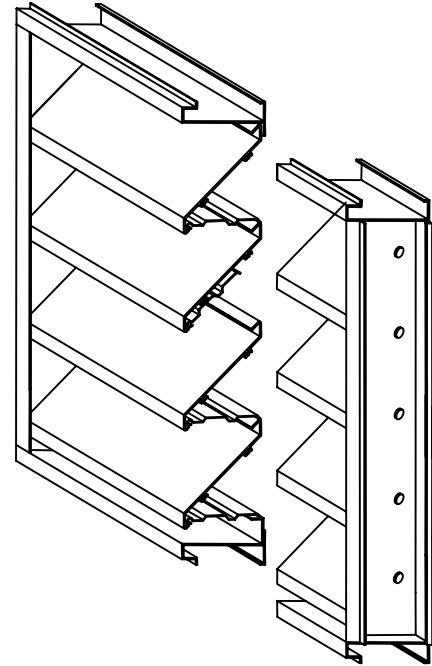
1/4" (6) under ordered size unless specified Exact or Actual

SCREEN

3/4" x .051" ga. (19 x 1.3) flattened expanded alum. bird screen no frame

FINISH

Mill



OPTIONAL CONSTRUCTION

FRAME – Available in a heavier extrusion of .125" ga. (3.2)

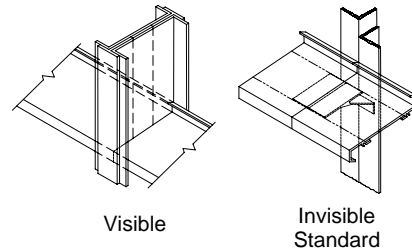
BLADES – Available in a heavier extrusion of .125" ga. (3.2)

SCREEN - Many styles available please consult screen listing

FINISH – Air-dry primer, Polyurethane, Epoxy, Baked Enamel, Powder Coat, Anodized or Kynar 500.

MULLION – Invisible for architectural preference

MULLION STYLES



SPECIAL PURPOSE CONSTRUCTION

Fully welded construction

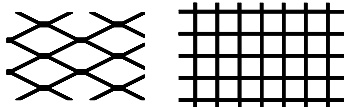
Security bars

Filter racks

Hinged as walk through door or for swing out access

Sleeved for ductwork connection

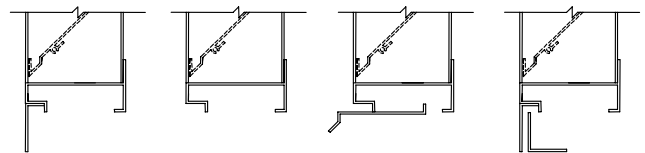
TYPICAL SCREEN STYLES



Expanded Aluminum Standard

Wire Mesh

FRAME STYLES



(1) - Flange 1-1/2" (38)

(3) - Box Standard

(8) - Box and Sill Extension

(9) - Flange w/ sub frame

DATE	ARCHITECT / ENGINEER	CUSTOMER		
PROJECT				
ITEM	QTY	W	H	TAG



DEPENDABLE PRODUCTS SINCE 1955

SAFE-AIR / DOWCO

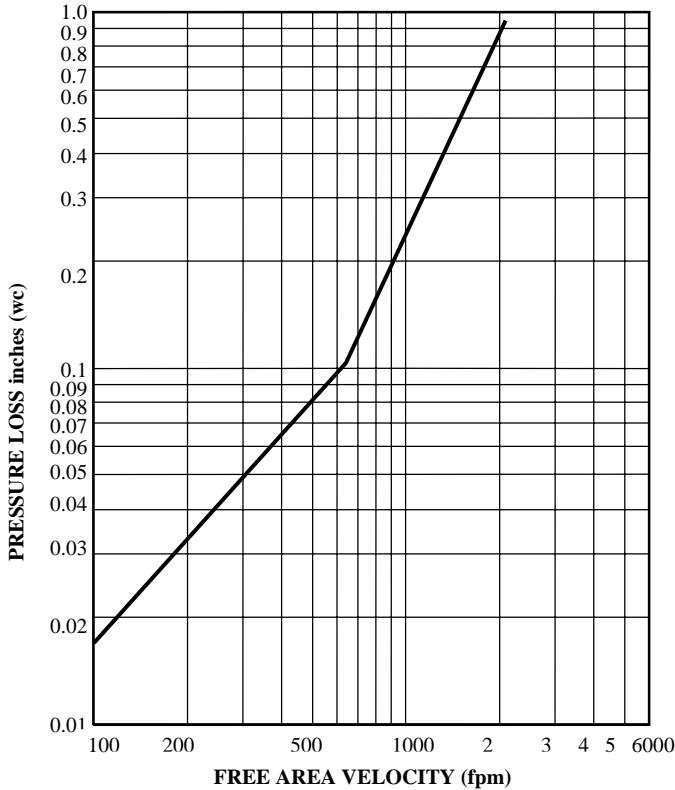
Engineering and General Offices

1855 South 54th Avenue / Cicero, Illinois 60804

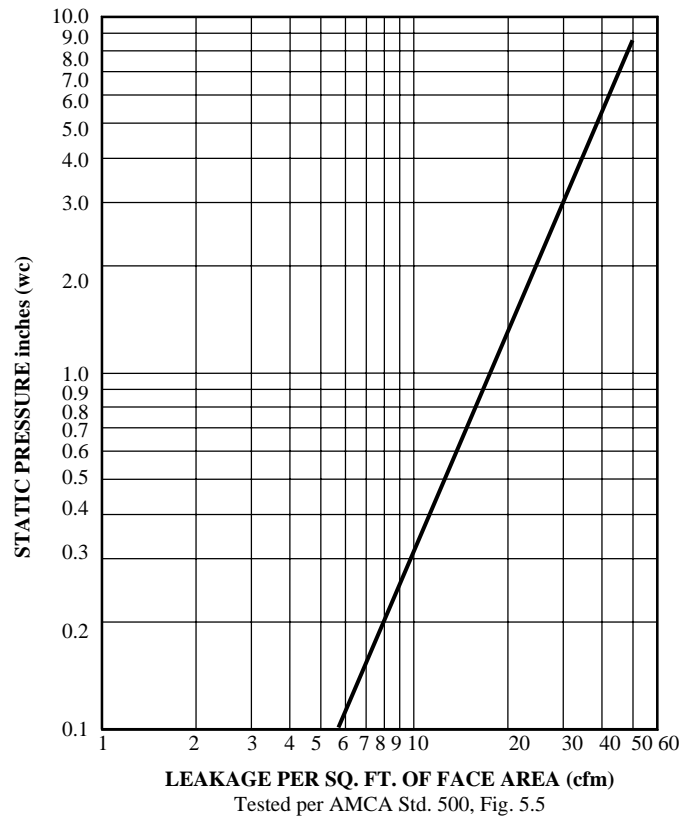
Phone: 708-652-9100 FAX: 708-652-9158

All tests performed at an independent laboratory and based on AMCA standards for air performance.

AIR PERFORMANCE



AIR LEAKAGE



AEN-04 Performance Data

Damper Width Inches	Max. Pressure	Maximum System Velocity	Blades start to open	Blades fully open
60"	.5" w.g.	1000 fpm		
48"	1" w.g.	1000 fpm		
24"	2.5" w.g.	1000 fpm	.02" wg.	.06" wg.
12"	3.5" w.g.	1000 fpm		

TO MINIMIZE LEAKAGE

The Leakage performance of a damper will improve with size and varies with aspect ratio. Leakage may always be minimized by selecting dampers as tall as possible, minimizing width. Testing was performed at an independent laboratory using test procedures based on Industry Standards for air leakage.

FREE AREA CALCULATIONS

		WIDTH								
		Inches	12	18	24	30	36	42	48	54
HEIGHT	12	0.23	0.37	0.50	0.64	0.78	0.92	1.05	1.19	1.33
	18	0.47	0.75	1.03	1.31	1.59	1.88	2.16	2.44	2.72
	24	0.63	1.00	1.38	1.75	2.13	2.50	2.88	3.25	3.63
	30	0.78	1.26	1.73	2.20	2.67	3.14	3.61	4.08	4.55
	36	1.03	1.64	2.26	2.88	3.49	4.11	4.73	5.34	5.96
	42	1.25	2.00	2.75	3.50	4.25	5.00	5.75	6.50	7.25
	48	1.41	2.25	3.09	3.94	4.78	5.63	6.47	7.31	8.16
	54	1.58	2.53	3.48	4.43	5.38	6.33	7.28	8.23	9.18
	60	1.83	2.92	4.02	5.11	6.21	7.31	8.40	9.50	10.59
	66	2.03	3.25	4.47	5.69	6.91	8.13	9.34	10.56	11.78
	72	2.19	3.50	4.81	6.13	7.44	8.75	10.06	11.38	12.69
	78	2.38	3.81	5.24	6.67	8.10	9.53	10.96	12.39	13.82
84	2.63	4.20	5.78	7.35	8.93	10.50	12.08	13.65	15.23	
90	2.81	4.50	6.19	7.88	9.56	11.25	12.94	14.63	16.31	
96	2.97	4.75	6.53	8.31	10.09	11.88	13.66	15.44	17.22	
102	3.18	5.09	7.00	8.91	10.81	12.72	14.63	16.54	18.45	
108	3.42	5.48	7.53	9.59	11.64	13.69	15.75	17.80	19.86	
114	3.59	5.75	7.91	10.06	12.22	14.38	16.53	18.69	20.84	
120	3.75	6.00	8.25	10.50	12.75	15.00	17.25	19.50	21.75	