

**Weather Protective Blade Louver in 4" thick frame design Model AFF-04**

**Features** – High performance adjustable design to satisfy systems requiring periodic operation.

**STANDARD CONSTRUCTION**

**FRAME**

AFF-04" (102) thick, is 18 gauge (1.3) galvanized steel in style #3

**ADJUSTABLE BLADES**

AFF-04" (102) are 20 gauge (1.0) galvanized steel, 30°

**BLADES AXLES & BEARINGS**

Axles – Plated shaft

Bearings- ½" (13) Bronze oil impregnated

**LINKAGE**

Mounted on blades at center point of width dimension

**MAXIMUM SIZE**

Unlimited, with mullions, structural bracing supplied by others

**MAXIMUM SINGLE SECTION**

60" w x 96" H (1524 x 2438) (allows for best handling)

**MULLIONS**

Visible

**MINIMUM SIZE**

12" W x 12" H (305 x 305)

**UNDERSIZED**

3/8" (10) under ordered size unless specified Exact or Actual

**SCREEN**

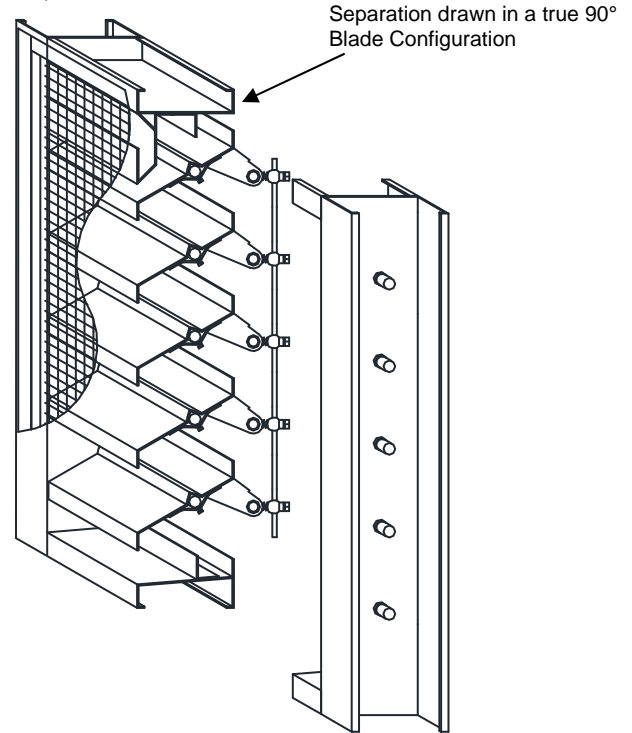
½" (13) wire mesh 19 gauge (1.1) galvanized bird screen in frame on face

**FINISH**

Mill

**OPERATOR**

Wingnut Adjustment



**OPTIONAL CONSTRUCTION**

**FRAME** – Available in a heavier construction up to 10 gauge

**BLADES** - Available in a heavier construction up to 16 gauge

**SPECIFIED MATERIAL** – Aluminum, Stainless or as requested

**SCREENS** - Many styles available please consult screen listing

**LINKAGE** – Concealed in jamb

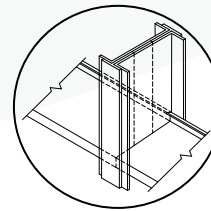
**FINISH** – Air-dry primer, polyurethane, epoxy, or enamel. Baked epoxy or enamel. Kynar ( Kynar limitations on steel.)

**OPERATOR** - Manual, electric or pneumatic

**BLADE & JAMB SEALS** – Neoprene blade edge and/or flexible metal jamb seals

*(Note: With seals daylight shall still be visible between blades and on the sides.)*

**MULLION STYLE**



Visible

PERFORMANCE
Point of water penetration N/A
Free area 48 x 48 section 53%

**SPECIAL PURPOSE CONSTRUCTION.**

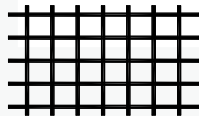
Security bars

Filter racks

Hinged as walk through door or for swing out access

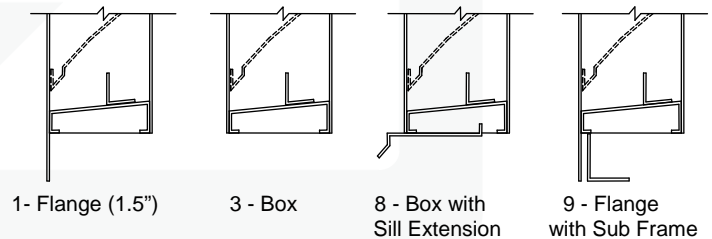
Sleeved for ductwork connection

**TYPICAL SCREEN STYLE**



Wire Mesh - Standard

**FRAME STYLES**



DATE	ARCHITECT			ENGINEER
PROJECT				
ITEM	QTY	W	H	DESCRIPTION

All free area calculations made in accordance with AMCA standards.

## FREE AREA CALCULATIONS IN SQ. FT.

### WIDTH

HEIGHT	INCHES		WIDTH													
	12	18	24	30	36	42	48	54	60	66	72	78	84	90	96	
12	-04	.37	.58	.79	1.00	1.20	1.41	1.62	1.83	2.04	2.25	2.46	2.67	2.88	3.09	3.30
	-06	.36	.57	.78	.98	1.19	1.40	1.60	1.81	2.01	2.22	2.43	2.64	2.84	3.05	3.26
18	-04	.62	.98	1.33	1.69	2.04	2.40	2.76	3.12	3.47	3.83	4.19	4.55	4.90	5.25	5.61
	-06	.60	.94	1.28	1.62	1.97	2.31	2.65	3.00	3.34	3.67	4.01	4.36	4.70	5.04	5.36
24	-04	.88	1.38	1.88	2.39	2.89	3.40	3.90	4.40	4.91	5.40	5.91	6.41	6.92	7.42	7.93
	-06	.93	1.46	2.00	2.54	3.07	3.60	4.14	4.67	5.21	5.75	6.28	6.81	7.35	7.88	8.41
30	-04	1.14	1.79	2.43	3.08	3.74	4.39	5.03	5.69	6.34	6.99	7.63	8.29	8.94	9.59	10.24
	-06	1.17	1.84	2.51	3.18	3.85	4.52	5.20	5.86	6.53	7.20	7.87	8.55	9.21	9.88	10.56
36	-04	1.39	2.19	2.99	3.79	4.58	5.38	6.18	6.97	7.77	8.57	9.37	10.16	10.96	11.76	12.55
	-06	1.50	2.37	3.23	4.09	4.96	5.81	6.68	7.54	8.40	9.26	10.13	10.99	11.85	12.71	13.58
42	-04	1.64	2.60	3.54	4.48	5.42	6.37	7.31	8.25	9.20	10.15	11.09	12.03	12.98	13.92	14.86
	-06	1.76	2.76	3.77	4.78	5.78	6.79	7.79	8.80	9.80	10.80	11.81	12.81	13.82	14.83	15.83
48	-04	1.90	3.00	4.09	5.18	6.27	7.36	8.45	9.54	10.63	11.72	12.81	13.90	15.00	16.08	17.18
	-06	2.08	3.26	4.45	5.64	6.83	8.02	9.21	10.40	11.60	12.79	13.98	15.17	16.36	17.55	18.73
54	-04	2.16	3.40	4.63	5.87	7.11	8.35	9.59	10.82	12.06	13.30	14.54	15.78	17.01	18.25	19.49
	-06	2.34	3.68	5.02	6.37	7.71	9.04	10.39	11.73	13.07	14.41	15.75	17.09	18.43	19.78	21.12
60	-04	2.41	3.80	5.19	6.58	7.96	9.34	10.73	12.11	13.49	14.88	16.26	17.65	19.03	20.41	21.80
	-06	2.65	4.17	5.68	7.20	8.72	10.23	11.76	13.27	14.79	16.31	17.82	19.34	20.85	22.38	23.89
66	-04	2.67	4.20	5.74	7.27	8.80	10.33	11.86	13.40	14.93	16.46	17.99	19.52	21.05	22.59	24.12
	-06	2.93	4.60	6.28	7.96	9.63	11.31	12.99	14.66	16.34	18.01	19.69	21.37	23.04	24.72	26.40
72	-04	2.93	4.61	6.29	7.97	9.64	11.32	13.00	14.68	16.36	18.03	19.71	21.40	23.07	24.75	26.42
	-06	3.22	5.07	6.91	8.76	10.60	12.44	14.29	16.14	17.98	19.82	21.67	23.51	25.36	27.20	29.04
78	-04	3.19	5.01	6.84	8.66	10.49	12.31	14.14	15.97	17.79	19.61	21.44	23.26	25.09	26.92	28.74
	-06	3.52	5.53	7.54	9.55	11.56	13.58	15.59	17.60	19.60	21.61	23.63	25.64	27.65	29.66	31.68
84	-04	3.44	5.41	7.39	9.36	11.34	13.31	15.28	17.25	19.22	21.20	23.17	25.14	27.11	29.08	31.05
	-06	3.80	5.97	8.14	10.31	12.48	14.65	16.82	19.00	21.18	23.35	25.52	27.69	29.86	32.03	34.20
90	-04	3.70	5.82	7.94	10.06	12.18	14.30	16.41	18.54	20.65	22.77	24.89	27.00	29.13	31.24	33.37
	-06	4.10	6.45	8.80	11.14	13.49	15.83	18.19	20.53	22.87	25.22	27.57	29.92	32.26	34.61	36.96
96	-04	3.96	6.22	8.49	10.76	13.02	15.29	17.56	19.81	22.08	24.35	26.61	28.88	31.15	33.41	35.68
	-06	4.37	6.87	9.37	11.87	14.37	16.86	19.37	21.86	24.37	26.86	29.37	31.86	34.37	36.86	39.36