

BALANCING DAMPER - MODEL BDD

Design Features – Economical light duty balancing damper.

STANDARD CONSTRUCTION

FRAME

3" deep, 20 gauge galvanized steel

BLADES

20 gauge galvanized steel

BLADE AXLES & BEARINGS

AXLE – 3/8" Plated square

BEARINGS – Bronze oil impregnated

MAXIMUM VELOCITY & STATIC PRESSURE

1000 FPM (higher velocities available please consult factory)

MAXIMUM SIZE

18" w x 12" h

MINIMUM SIZE

6" w x 6" h

UNDERSIZED

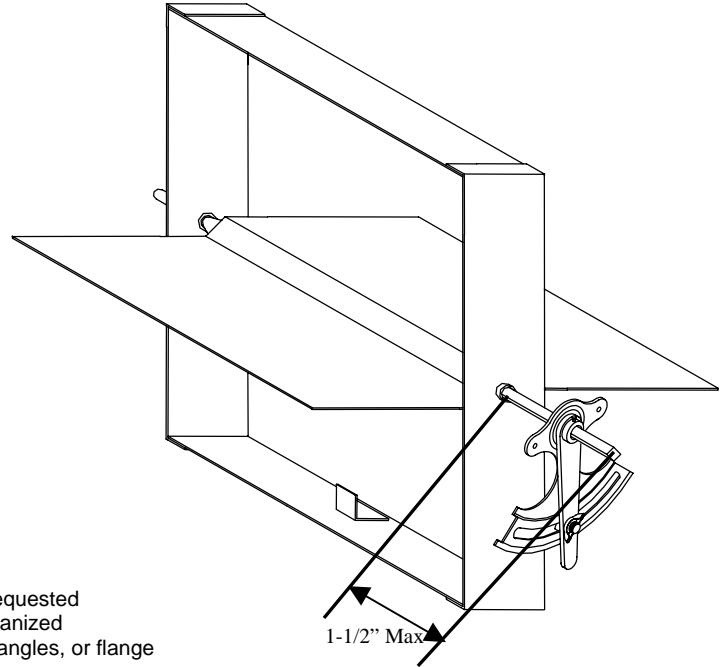
1/8" under ordered size unless specified Exact or Actual

FINISH

Mill

OPERATOR

Manual locking hand quadrant factory mounted



OPTIONAL CONSTRUCTION

FRAME – Available up to 10 gauge

BLADES – Available up to 14 gauge

SPECIFIED MATERIAL – Available in Stainless, Aluminum or as requested

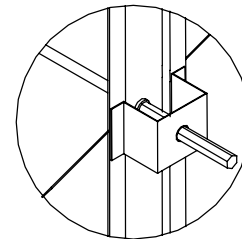
SLEEVE AND DUCTWORK CONNECTION – 10 ga. to 20 ga. galvanized steel to 30" in length. Factory can install access door, retaining angles, or flange connections.

SPECIAL PURPOSE CONSTRUCTION

Fully welded assembly

Extended shaft for insulated duct application

1" Stand-off bracket for insulated duct application



Stand-off Bracket

OPTIONAL

DATE	ARCHITECT / ENGINEER	CUSTOMER			
PROJECT					
ITEM	QTY	W	H	DESCRIPTION	