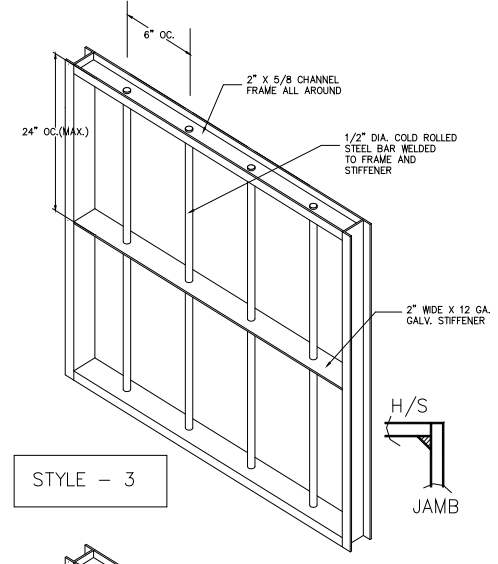
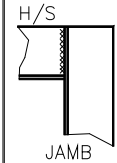
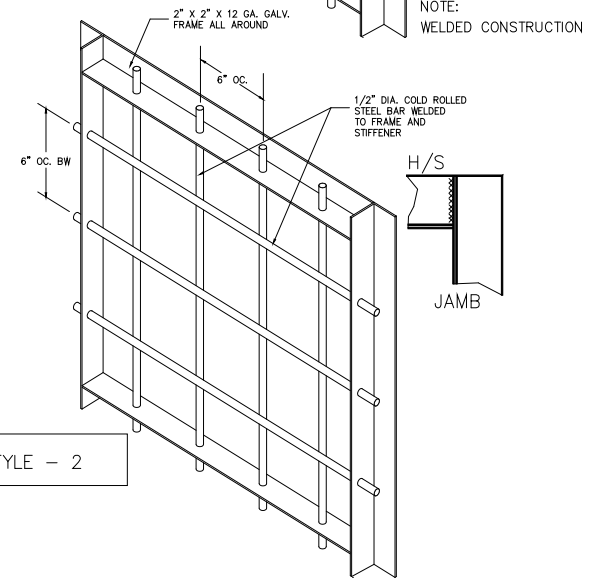
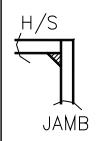


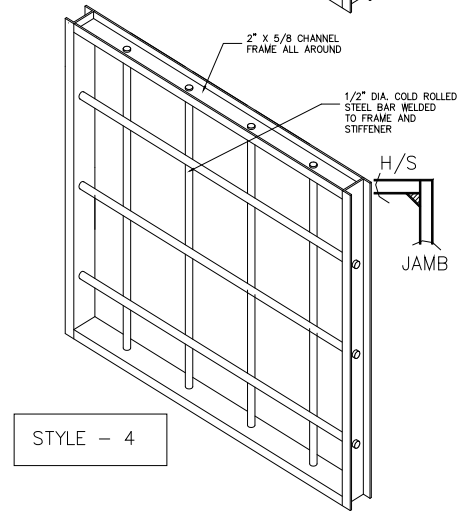
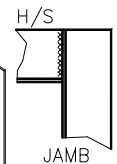
STYLE - 1



STYLE - 3



STYLE - 2



STYLE - 4



DEPENDABLE PRODUCTS  
SINCE 1955  
708-652-9100 FAX-652-9158  
1855 SOUTH 54TH AVENUE, CICERO, IL. 60650

ARCH/ENGR: \_\_\_\_\_ CUSTOMER: \_\_\_\_\_

REV.	DESCRIPTION	DATE	BY	PROJECT:	TITLE:
				DATE:	DRAWN: <u>UN</u>
				CHKD:	DRWG #: