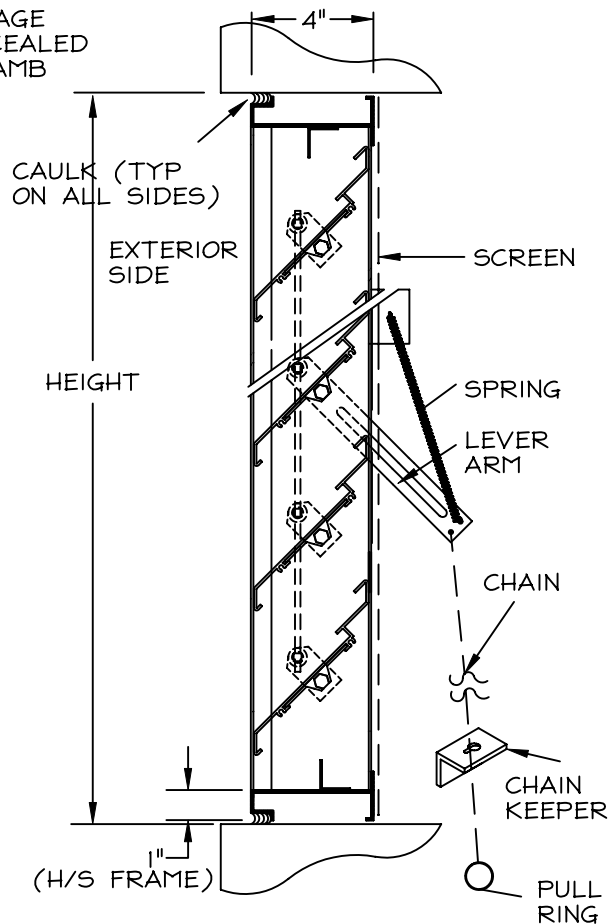
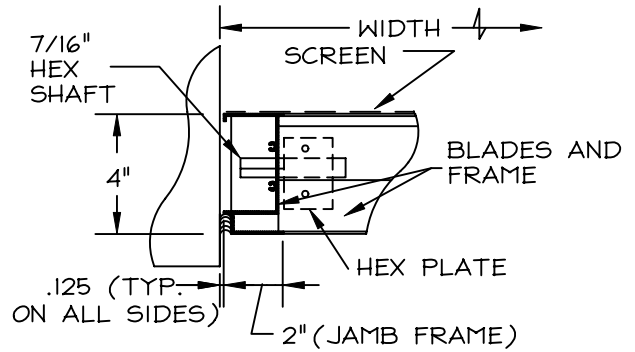


TYP. FRONT EL.

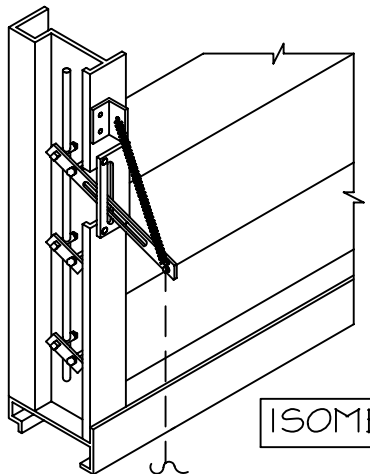
LINKAGE CONCEALED IN JAMB



SECTION "B"



SECTION "A"



ISOMETRIC VIEW

STANDARD CONSTRUCTION

MODEL: A-LEB-04-3E0T-EX  
 FRAME: .081" THK. EXTRUDED ALUM. 6063-T5  
 BLADES: .081" THK. EXTRUDED ALUM. 6063-T5  
 BLADE AXLES AND BEARINGS:  
 7/16" PLATED HEX AND BRONZE OILITE BUSHING  
 LINKAGE: PLATED STEEL CONCEALED IN JAMB  
 SEALS: NONE  
 FASTENERS: #10-16 X 1" PLTD. STL. TEK SCREW  
 SCREEN: 3/4" X .050 EXPD. ALUM. IN FRAME  
 FINISH: BAKED ENAMEL COLOR AS SELECTED  
 OPERATOR: CHAIN OPERATOR WITH SPRING RET.

LOUVER TAG	QUANTITY	OPNG SIZE (WXH)	NOTES
------------	----------	-----------------	-------

CHAIN OPERATOR  
 ALUM. ADJ. LVR.

- NOTES:
1. ALL LOUVERS TO BE FABRICATED 1/4" UNDER LISTED OPNG. SIZES UNLESS SPECIFIED "ACTUAL".
  2. ALL OPNG SIZES TO BE FIELD VERIFIED AND GUARANTEED BY OTHERS PRIOR TO FABRICATION.
  3. OTHER SURROUNDING FINISHES ARE FOR REFERENCES ONLY AND TO BE SUPPLIED BY OTHERS.

**DOWCO** DEPENDABLE PRODUCTS SINCE 1955  
 1855 SOUTH 54TH AVENUE, CICERO, IL. 60650

ARCH/ENGR:		CUSTOMER:	
REV.	DESCRIPTION	DATE	BY
PROJECT:		TITLE:	
DATE:		DRAWN: JN	DRWG #:
		CHKD:	