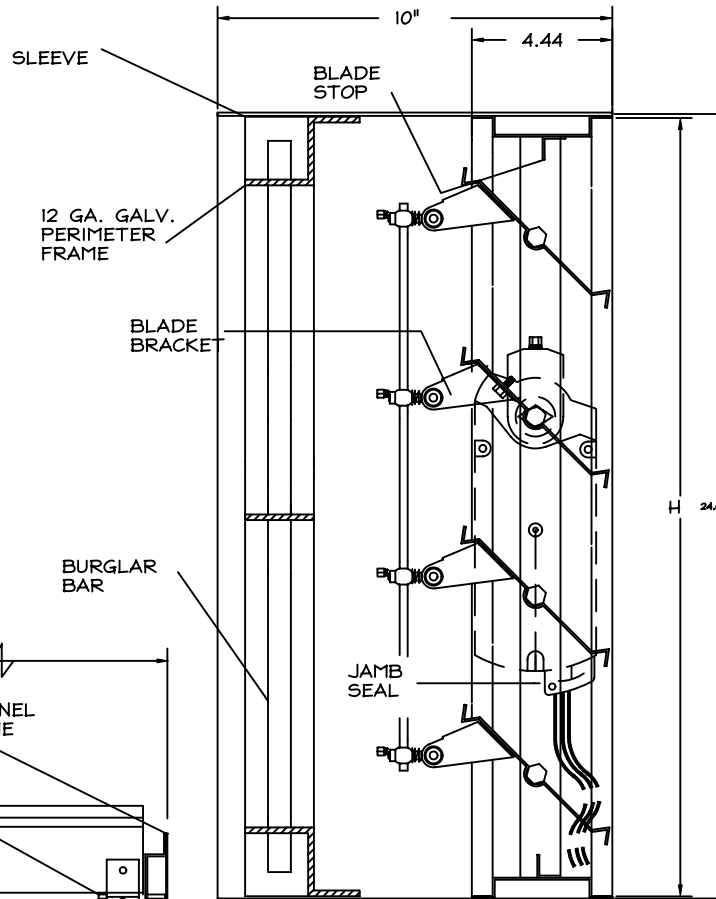
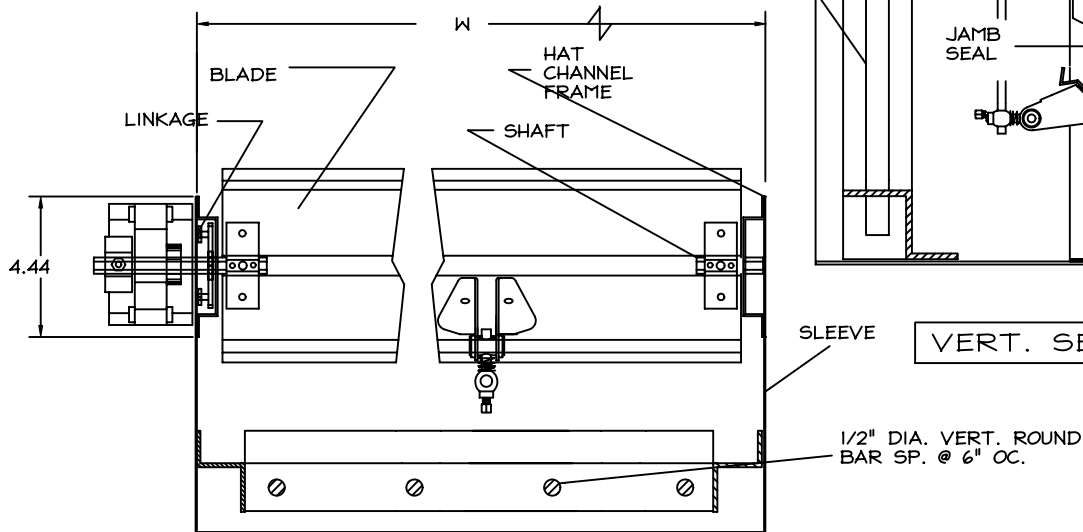


ELEVATION



VERT. SECTION



HOR. SECTION

STANDARD CONSTRUCTION
 MODEL: AVM-207F-OF
 FRAME: 4-7/16" X 16 GA. GALV. STEEL
 BLADES: 6" WIDE 16 GA. GALV. STEEL
 AXLES: 7/16" PLATED HEX
 BEARINGS: 1/2" DIA. S5TL.
 LINKAGE: FACE LINKAGE @ MID-PT.
 SEALS: NEOPRENE AND S5TL. JAMB SEALS
 OPERATOR: DIRECT DRIVE
 FINISH: NATURAL MILL

- NOTES:**
1. ALL DAMPERS TO BE FABRICATED 1/4" UNDER LISTED SIZES UNLESS OTHERWISE SPECIFIED "ACTUAL".
 2. ALL OPENING SIZES TO BE FIELD VERIFIED BY OTHERS PRIOR TO FABRICATION.
 3. THIS DRAWING IS FOR INFORMATION ONLY, ACTUAL CONSTRUCTION MAY VARY ACCORDING TO SIZE.

DAMPER SCHEDULE

TAG	QTY	OPNG SIZE (W x H)	NOTES
-----	-----	-------------------	-------

CONTROL DAMPER MOTORIZED
 W/ BURGLAR BARS

DOWCO DEPENDABLE PRODUCTS SINCE 1955
 1855 SOUTH 54TH AVENUE, CICERO, IL. 60650

ARCH/ENGR:		CUSTOMER:	
PROJECT:		TITLE: AVM/series	
DATE:	DRAWN: JN	DRWG #:	
	CHKD:		

REV.	DESCRIPTION	DATE	BY