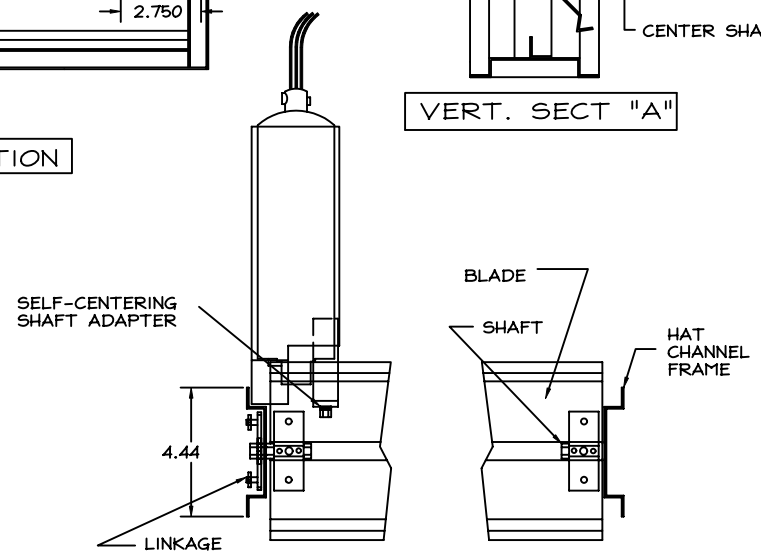


ELEVATION

VERT. SECT "A"



HOR. SECT "B"

**STANDARD CONSTRUCTION**  
 MODEL: 610/AVO-207F-0X  
 FRAME: 4-7/16" X 16 GA. GALV. STEEL  
 BLADES: 6" WIDE 16 GA. GALV. STEEL  
 AXLES: 7/16" PLATED HEX  
 BEARINGS: BRONZE OIL IMPREGNATED  
 LINKAGE: CONCEALED IN JAMB, PLATED STEEL  
 SEALS: NEOPRENE BLADE EDGE SEAL AND S5TL.  
 JAMB SEAL  
 OPERATOR: SIEMENS GGD221, 120 V. 2-POS.  
 SPRING RETURN  
 FINISH: NATURAL MILL

- NOTES:**
1. ALL DAMPERS TO BE FABRICATED 1/4" UNDER LISTED SIZES UNLESS OTHERWISE SPECIFIED "ACTUAL".
  2. ALL OPENING SIZES TO BE FIELD VERIFIED BY OTHERS PRIOR TO FABRICATION.
  3. THIS DRAWING IS FOR INFORMATION ONLY, ACTUAL CONSTRUCTION MAY VARY ACCORDING TO SIZE.

DAMPER SCHEDULE				NOTES
TAG	QTY	OPNG SIZE (W x H)		

CONTROL DAMPER W/  
 DIRECT DRIVE ACTUATOR

**SAFE AIR**  **DOWCO**   
 DEPENDABLE PRODUCTS SINCE 1955  
 1855 SOUTH 54TH AVENUE, CICERO, IL. 60650

ARCH/ENGR: \_\_\_\_\_ CUSTOMER: \_\_\_\_\_

REV.	DESCRIPTION	DATE	BY	PROJECT:	TITLE:
					610 SERIES
				DATE: 11/12/02	DRAWN: JN
				CHKD: JN	DRWG #: D-825