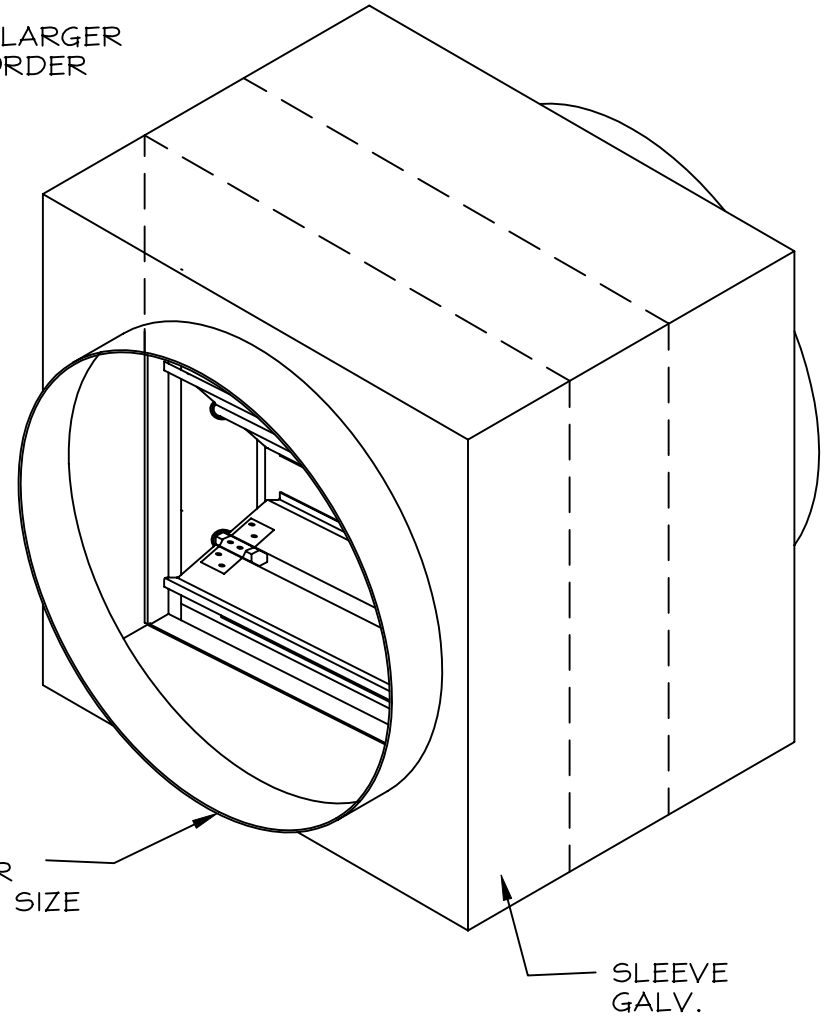


DAMPER 2" LARGER THAN THE ORDER SIZE



771 / 772 - 621 / 622
 BLADE AND FRAME: 16 GA. GALV.
 AXLE: 7/16" HEX SHAFT
 BUSHING: 1/2" DIA. BRONZE BEARINGS
 LINKAGE: PLATED STEEL CONCEALED
 INSIDE THE JAMB
 SEAL:
 FINISH: MILL

NOTE: SLEEVE LENGTH DEPENDS ON WALL THICKNESS

S SAFE 0 AIR DEPENDABLE PRODUCTS SINCE 1955
 1855 SOUTH 54TH AVENUE, CICERO, IL. 60804

ARCH/ENGR: _____ CUSTOMER: _____

REV.	DESCRIPTION	DATE	BY	JOB:	TITLE:
					FIRE/SMOKE DAMPER ROUND
				DATE:	DRAWN: <u>JN</u> DRWG #:
				7/28/99	CHKD: _____