

Dynamic Integral Sleeve Curtain Fire Damper Model – D-150-12A, 14A, 16A

Features – U.L. rated 1 ½ hour fire damper, for use in a 2 hour fire partition. • Meets NFPA 90A & UL 555 • Meets California State Fire Marshal Requirements.

STANDARD CONSTRUCTION

FRAME AND SLEEVE

- 150-12A 12" x 20 gauge galvanized steel
- 150-14A 14" x 20 gauge galvanized steel
- 150-16A 16" x 20 gauge galvanized steel

BLADES

- 3-3/8" wide 22 gauge galvanized steel

MAXIMUM SINGLE SECTION

- Vertical: 24" w x 24" h

MINIMUM SIZE

- Vertical: 4" w x 4" h

UNDERSIZED

- 1/4" undersize unless specified otherwise

FUSIBLE LINK

- 165°F standard (others available)

SPRINGS

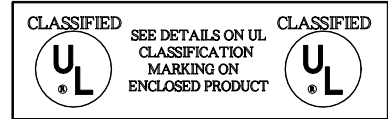
- Stainless steel – 301 Negator type

OPTIONAL CONSTRUCTION

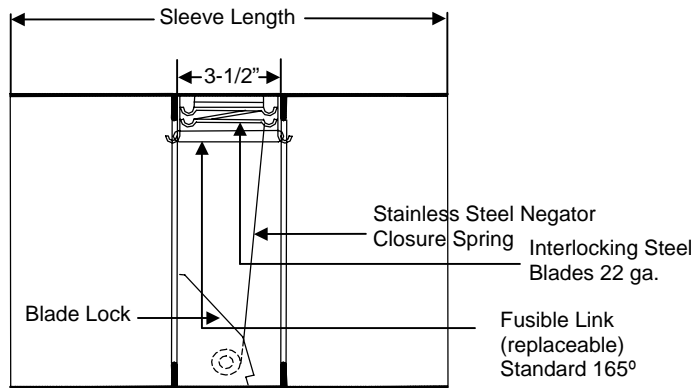
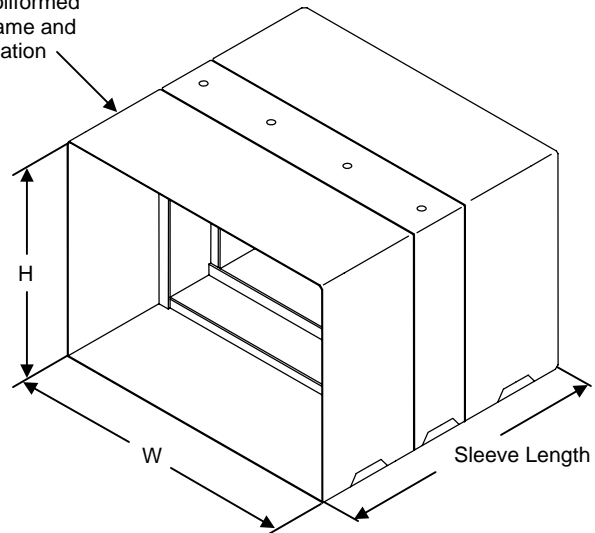
RETAINING ANGLES – Shipped Loose

SECURITY BARS – Mounted in sleeve

FUSIBLE LINK – Electronically triggered link (ETL)



Damper is a rollformed 20 ga. steel frame and sleeve combination



Vertical Section

DATE	ARCHITECT			ENGINEER
PROJECT				
ITEM	QTY	W	H	DESCRIPTION