

## Dynamic Integral Sleeve Curtain Fire Damper Model – D-150-12CRD, 14CRD, 16CRD

**Features** – U.L. rated 1 ½ hour fire damper, for use in a 2-hour fire partition. • Meets NFPA 90A & UL 555 • Meets California State Fire Marshal Requirements.

### STANDARD CONSTRUCTION

#### FRAME AND SLEEVE

- 150-12CRD 12" x 20 gauge galvanized steel
- 150-14CRD 14" x 20 gauge galvanized steel
- 150-16CRD 16" x 20 gauge galvanized steel

#### BLADES

- 3-3/8" wide 22 gauge galvanized steel

#### MAXIMUM SINGLE SECTION

- 22"w x 20"h (Duct Size)

#### MINIMUM SIZE

- 4"w x 4"h

#### UNDERSIZED

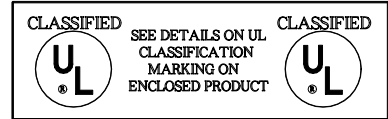
- ¼" undersize unless specified otherwise

#### FUSIBLE LINK

- 165° standard (others available)

#### SPRINGS

- Stainless steel – 301 Negator type



### OPTIONAL CONSTRUCTION

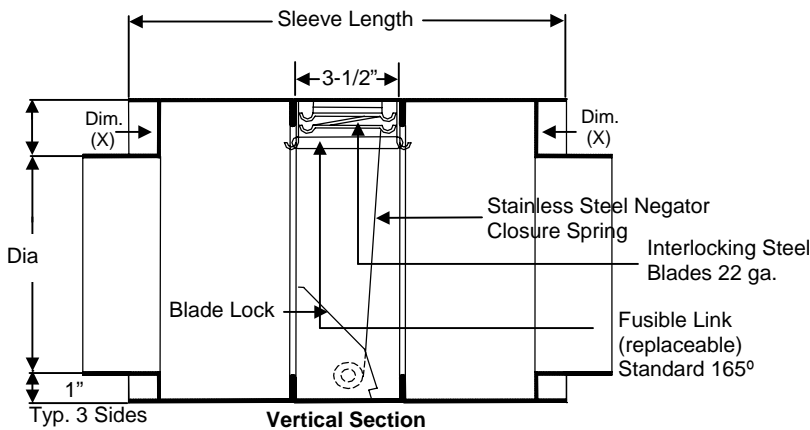
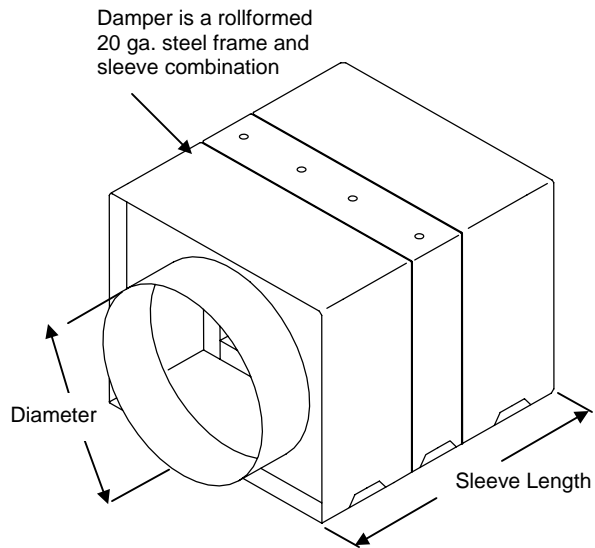
#### WELDED CONSTRUCTION

“D” STYLE – Low Pressure applications

RETAINING ANGLES – Shipped Loose

SECURITY BARS – Mounted in sleeve

FUSIBLE LINK – Electronically triggered link (ETL)



Duct Height	Dim. (X)
4" thru 15"	2"
16" thru 24"	3"

DATE	ARCHITECT			ENGINEER
PROJECT				
ITEM	QTY	W	H	DESCRIPTION



DEPENDABLE PRODUCTS SINCE 1955

**SAFE-AIR OF ILLINOIS, INC.**

Engineering and General Offices  
1855 South 54th Avenue, Cicero, Illinois 60804  
Phone 708-652-9100 FAX 708-652-9158