

Dynamic Curtain Fire Damper - MODEL D-150C-OV/RD

Features – U. L. Rated for 1-1/2 hour fire damper, for use in a 2 hour fire partition. • Meets NFPA 90A & UL555

STANDARD CONSTRUCTION

FRAME

4-7/8" deep, 22 gauge galvanized steel

BLADES

3-3/8" wide, 22 gauge galvanized steel

UNDERSIZED

1/4" under ordered size unless specified otherwise

FUSIBLE LINK

165° Standard (others available)

SPRING

Stainless Steel – 301 Negator type

MINIMUM SIZE

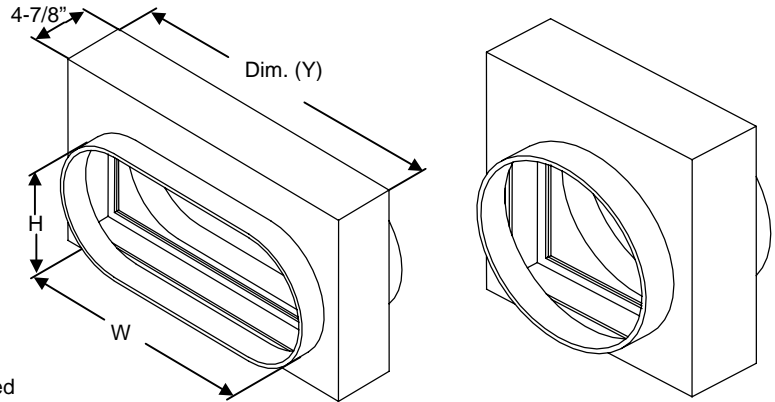
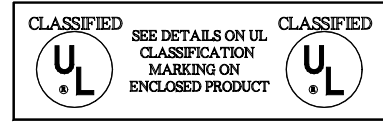
4" w x 4" h

MAXIMUM SIZE

22" w x 20" h (Duct Size)

MAXIMUM STATIC PRESSURE (damper closed)

4" WG @ 3000 FPM



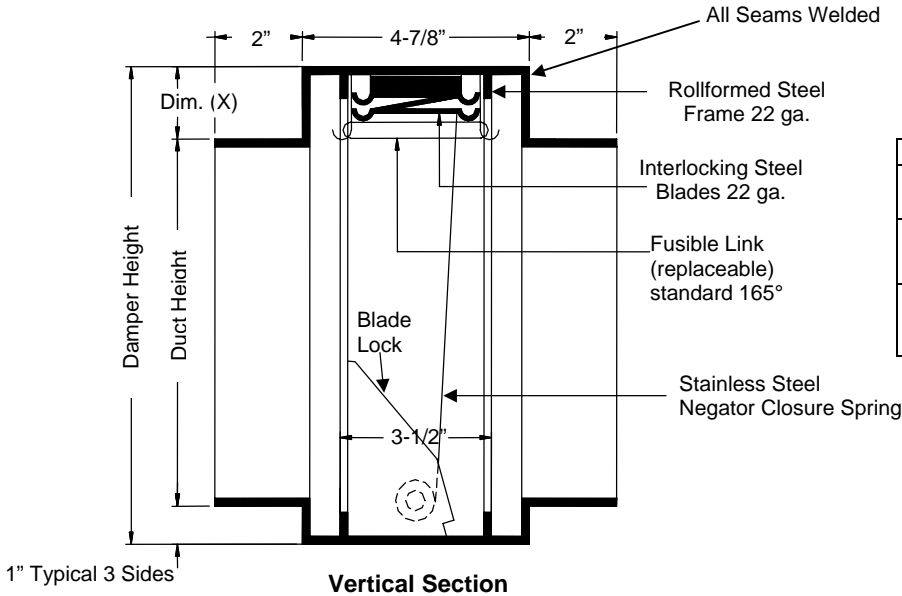
OPTIONAL CONSTRUCTION

FRAME – Available in Stainless Steel

BLADE – Available in Stainless Steel

FUSIBLE LINK – Electrically triggered link (ETL)

SLEEVE & DUCT CONNECTION – 10 ga. to 20 ga. galvanized steel to 30" in length. Factory can install access door, retaining angles, flange connections or security bars.



Damper Height		
Duct Height	Dim. (X)	Dim. (Y)
4" thru 15"	2"	W + 2"
16" thru 20"	3"	W + 2"

DATE		ARCHITECT		CUSTOMER	
PROJECT					
ITEM	QTY	W	H	DESCRIPTION	



DEPENDABLE PRODUCTS SINCE 1955

SAFE-AIR/DOWCO

Engineering and General Offices

1855 South 54th Avenue, Cicero, Illinois 60804

Phone 708-652-9100 FAX 708-652-9158