

Dynamic Integral Sleeve Curtain Fire Damper - MODEL D-300-12A,14A, 16A

Features – U. L. Rated for 3-hour fire damper, for use in a 4-hour fire partition. • Meets NFPA 90A & UL555 Meets California State Fire Marshal Requirements.

STANDARD CONSTRUCTION

FRAME AND SLEEVE

- 300-12A 12" x 20 gauge galvanized steel
- 300-14A 14" x 20 gauge galvanized steel
- 300-16A 16" x 20 gauge galvanized steel

BLADES

- 3-3/8" wide 22 gauge galvanized steel

UNDERSIZED

- 1/4" undersize unless specified otherwise

FUSIBLE LINK

- 165°F standard (others available)

SPRINGS

- Stainless steel – 301 Negator type

MAXIMUM SINGLE SECTION

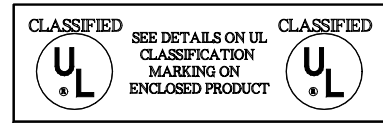
- Vertical: 24" w x 24" h

MINIMUM SIZE

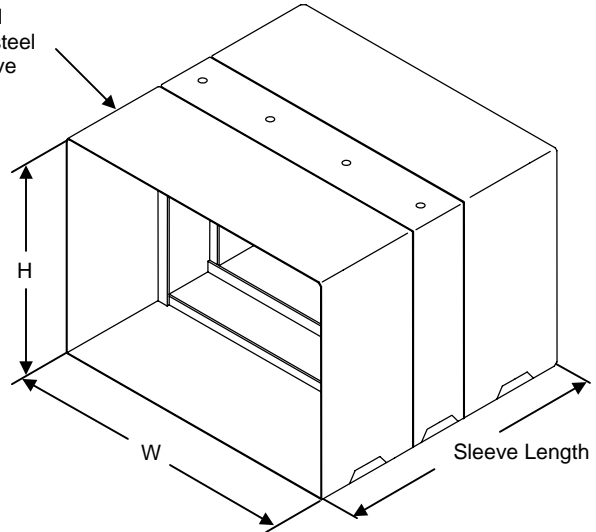
- Vertical: 4" w x 4" h

MAXIMUM STATIC PRESSURE

- 4" WG @ 2000 FPM



Damper is a roll formed 20 ga. steel frame and sleeve combination

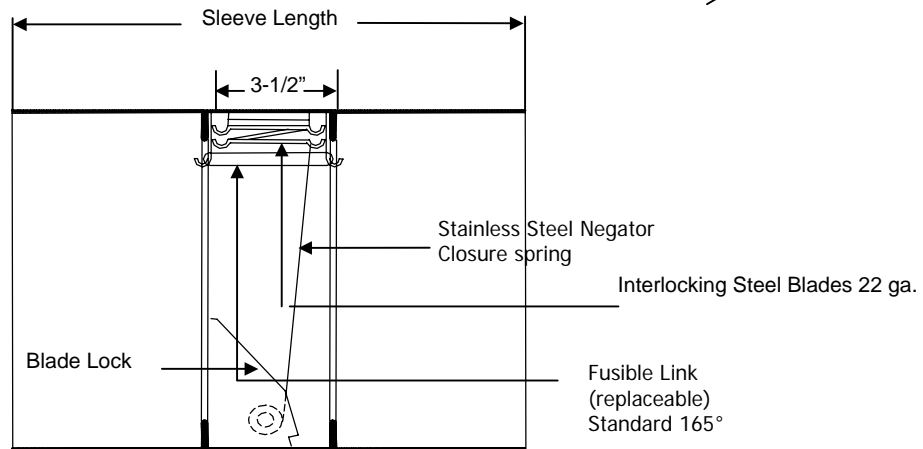


OPTIONAL CONSTRUCTION

RETAINING ANGLES – Shipped Loose

SECURITY BARS – Mounted in sleeve

FUSIBLE LINK – Electronically triggered link (ETL)



Vertical Section

(Not available in horizontal)

DATE	ARCHITECT			CUSTOMER
PROJECT				
ITEM	QTY	W	H	DESCRIPTION



DEPENDABLE PRODUCTS SINCE 1955

SAFE-AIR/DOWCO

Engineering and General Offices

1855 South 54th Avenue, Cicero, Illinois 60804

Phone 708-652-9100 FAX 708-652-9158