

Dynamic Integral Sleeve Curtain Fire Damper - MODEL D-300-12B,14B, 16B

Features – U. L. Rated for 3-hour fire damper, for use in a 4-hour fire partition. • Meets NFPA 90A & UL555 Meets California State Fire Marshal Requirements.

STANDARD CONSTRUCTION

FRAME AND SLEEVE

- 300-12B 12" x 20 gauge galvanized steel
- 300-14B 14" x 20 gauge galvanized steel
- 300-16B 16" x 20 gauge galvanized steel

BLADES

3-3/8" wide 22 gauge galvanized steel

MAXIMUM SINGLE SECTION

Vertical: 24" w x 21" h (duct size)

MINIMUM SIZE

Vertical: 4" w x 4" h

UNDERSIZED

1/4" undersize unless specified otherwise

FUSIBLE LINK

165° standard (others available)

SPRINGS

Stainless steel – 301 Negator type

MAXIMUM STATIC PRESSURE

4" WG @ 2000 FPM

OPTIONAL CONSTRUCTION

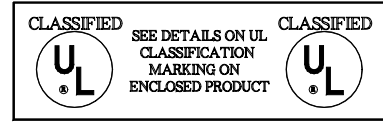
RETAINING ANGLES – Shipped Loose

SECURITY BARS – Mounted in sleeve

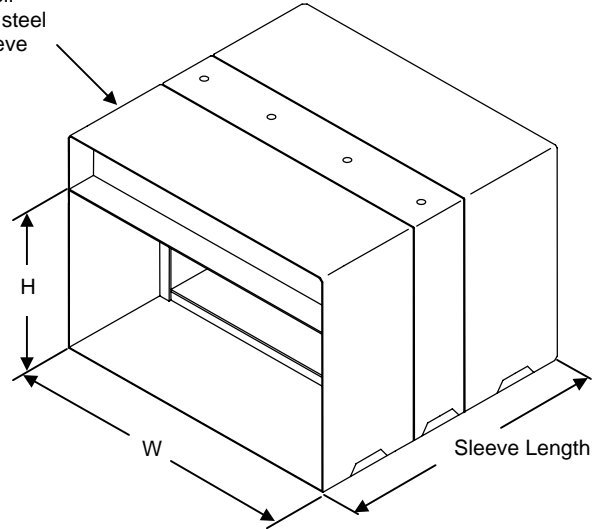
FUSIBLE LINK – Electronically triggered link (ETL)



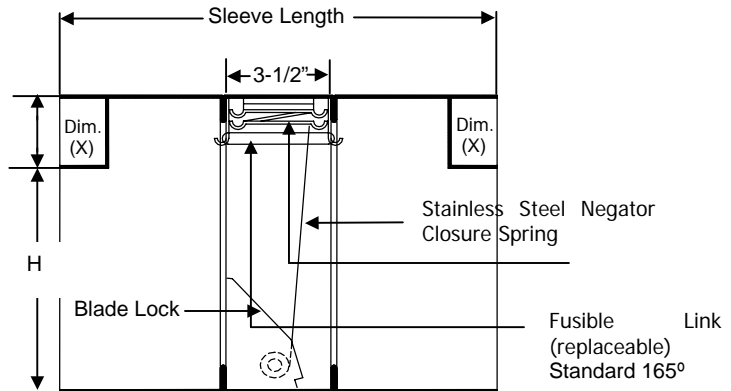
03225-0751-001



Damper is a roll formed 20 ga. steel frame and sleeve combination



Duct Height	Dim. (X)
4" thru 15"	2"
16" thru 21"	3"



Vertical Section

(Not available in horizontal)

DATE		ARCHITECT		CUSTOMER	
PROJECT					
ITEM	QTY	W	H	DESCRIPTION	