

Dynamic Curtain Fire Damper - MODEL D-300-12CRD, 14CRD, 16CRD

Features – U. L. Rated for 3-hour fire damper, for use in a 4-hour fire partition. • Meets NFPA 90A & UL555 Meets California State Fire Marshal Requirements.

STANDARD CONSTRUCTION

FRAME AND SLEEVE

- 300-12CRD 12" x 20 gauge galvanized steel
- 300-14CRD 14" x 20 gauge galvanized steel
- 300-16CRD 16" x 20 gauge galvanized steel

BLADES

- 3-3/8" wide 22 gauge galvanized steel

UNDERSIZED

- 1/4" undersize unless specified otherwise

FUSIBLE LINK

- 165° standard (others available)

SPRINGS

- Stainless steel – 301 Negator type

MAXIMUM SINGLE SECTION

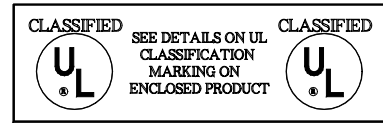
- 24" w x 24" h (Single Round Sections are 21" Diameter)

MINIMUM SIZE

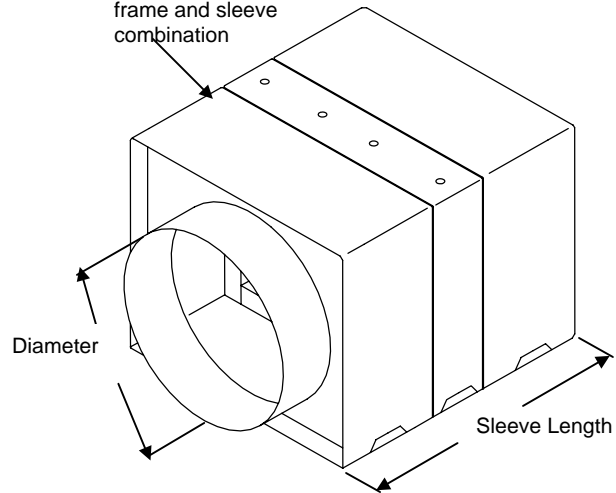
- 6" w x 7" h (Single Sections are 4" Diameter)

MAXIMUM STATIC PRESSURE

- 4" WG @ 2000 FPM



Damper is a roll formed 20 ga. steel frame and sleeve combination



OPTIONAL CONSTRUCTION

WELDED CONSTRUCTION

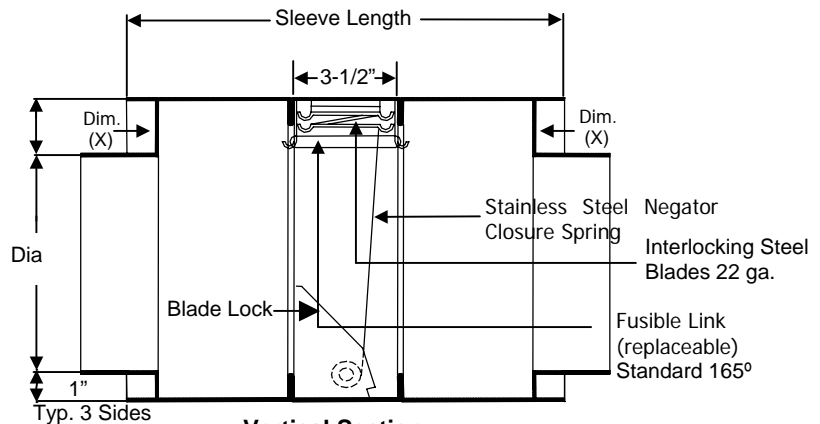
“D” STYLE – Low Pressure applications

RETAINING ANGLES – Shipped loose

SECURITY BARS – Mounted in sleeve

FUSIBLE LINK – Electrically triggered link (ETL)

| Duct Diameter | Dim. (X) |
|---------------|----------|
| 4" thru 15" | 2" |
| 16" thru 21" | 3" |



Vertical Section
(Not available in horizontal)

| | | | | |
|---------|-----------|---|---|-------------|
| DATE | ARCHITECT | | | CUSTOMER |
| PROJECT | | | | |
| ITEM | QTY | W | H | DESCRIPTION |
| | | | | |
| | | | | |
| | | | | |
| | | | | |
| | | | | |



DEPENDABLE PRODUCTS SINCE 1955

SAFE-AIR/DOWCO

Engineering and General Offices

1855 South 54th Avenue, Cicero, Illinois 60804

Phone 708-652-9100 FAX 708-652-9158