

**Dynamic Curtain Fire Damper - MODEL D-300C-OV/RD**

**Features** – U. L. Rated for 3-hour fire damper, for use in a 4-hour fire partition. • Meets NFPA 90A & UL555 Meets California State Fire Marshal Requirements.

**STANDARD CONSTRUCTION**

**FRAME**

4-7/8" deep, 22 gauge galvanized steel

**BLADES**

3-3/8" wide, 22 gauge galvanized steel

**UNDERSIZED**

1/4" under ordered size unless specified otherwise

**FUSIBLE LINK**

165° Standard (others available)

**SPRING**

Stainless Steel – 301 Negator type

**MAXIMUM SIZE**

22" x 21" – OV

21" diameter – RD

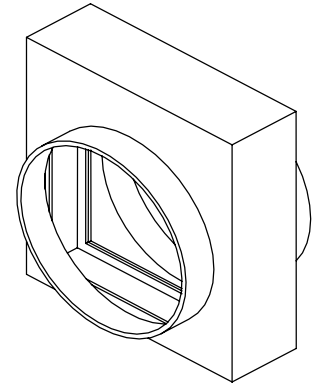
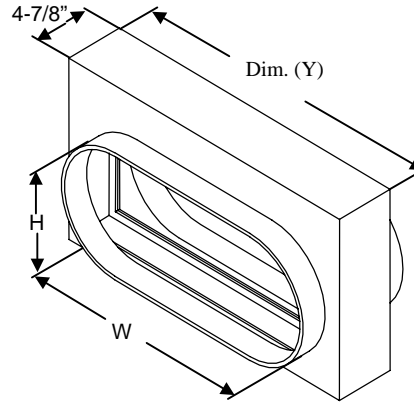
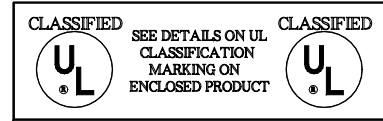
**MINIMUM SIZE**

4" x 4" – OV

4" diameter – RD

**MAXIMUM STATIC PRESSURE (damper closed)**

4" WG @ 2000 FPM



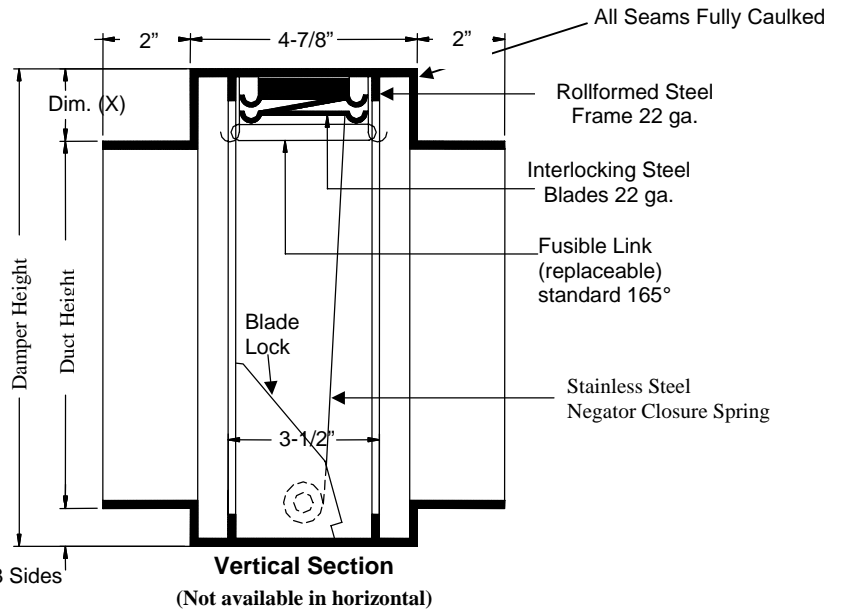
**OPTIONAL CONSTRUCTION**

**FRAME** – Available in Stainless Steel

**BLADE** – Available in Stainless Steel

**FUSIBLE LINK** – Electrically triggered link (ETL)

**SLEEVE & DUCT CONNECTION** – 10 ga. to 20 ga. galvanized steel to 30" in length. Factory can install access door, retaining angles, flange connections or security bars.



Damper Height		
Duct Height	Dim. (X)	Dim. (Y)
4" thru 15"	2"	W + 2"
16" thru 21"	3"	W + 2"

DATE		ARCHITECT		CUSTOMER	
PROJECT					
ITEM	QTY	W	H	DESCRIPTION	