

Dynamic Curtain Fire Damper - MODEL D-150A

Features – U. L. Rated for 1-1/2 hour fire damper, for use in a 2 hour fire partition. • Meets NFPA 90A & UL555

STANDARD CONSTRUCTION

FRAME

4-7/8" deep, 22 gauge galvanized steel

BLADES

3-3/8" wide, 22 gauge galvanized steel

UNDERSIZED

1/4" under ordered size unless specified otherwise

FUSIBLE LINK

165° Standard (others available)

SPRING

Stainless Steel – 301 Negator type

MINIMUM SIZE

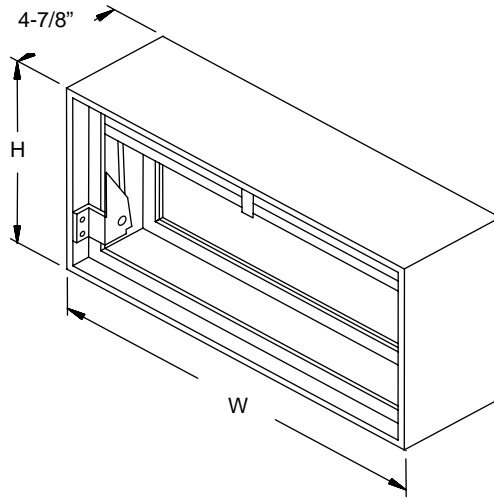
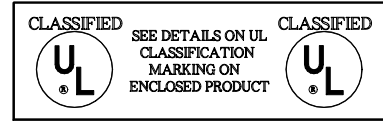
4" w x 4" h

MAXIMUM SIZE

24" w x 24" h

MAXIMUM STATIC PRESSURE (damper closed)

4" WG @ 2000 FPM



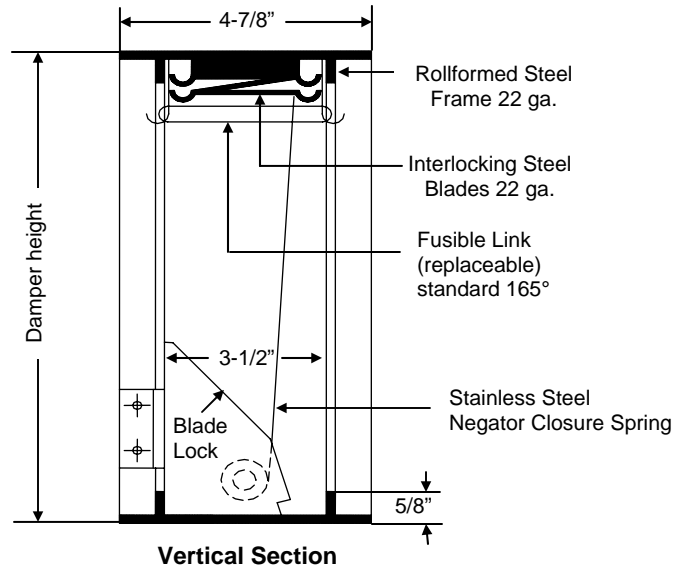
OPTIONAL CONSTRUCTION

FRAME – Available in Stainless Steel

BLADE – Available in Stainless Steel

FUSIBLE LINK – Electrically triggered link (ETL)

SLEEVE & DUCT CONNECTION – 10 ga. to 20 ga. galvanized steel to 30" in length. – transitions available in; round, oval, rectangular, or custom. Factory can install access door, retaining angles, flange connections or security bars.



| | | | | | |
|---------|-----|-----------|---|-------------|--|
| DATE | | ARCHITECT | | CUSTOMER | |
| PROJECT | | | | | |
| ITEM | QTY | W | H | DESCRIPTION | |
| | | | | | |
| | | | | | |
| | | | | | |
| | | | | | |
| | | | | | |



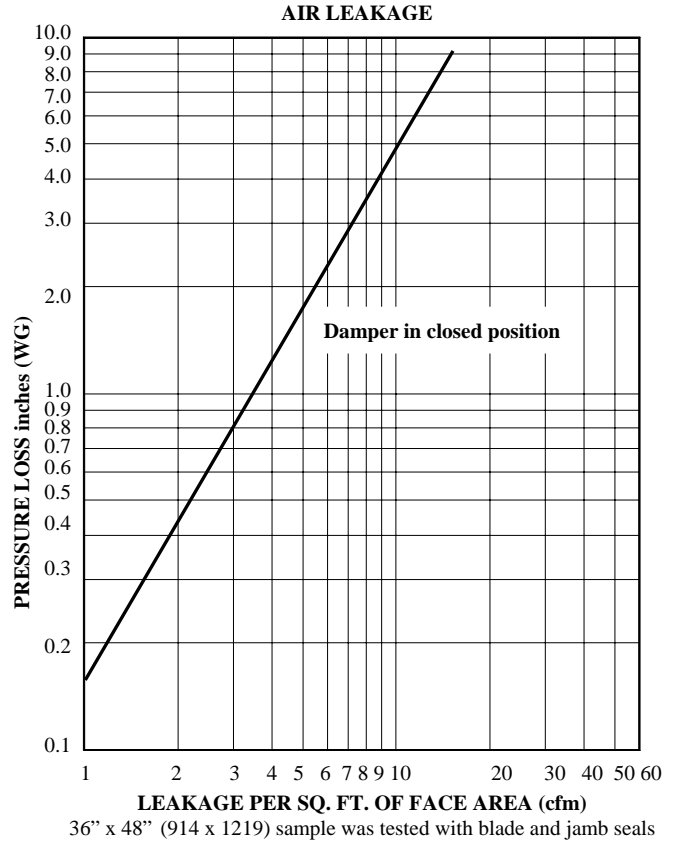
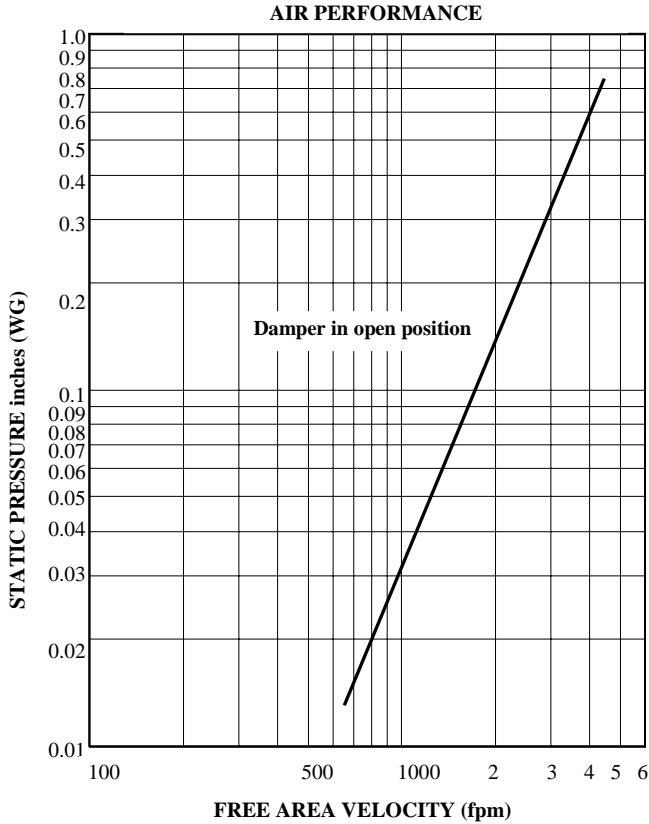
DEPENDABLE PRODUCTS SINCE 1955

SAFE-AIR/DOWCO

Engineering and General Offices

1855 South 54th Avenue, Cicero, Illinois 60804

Phone 708-652-9100 FAX 708-652-9158



| <i>Dynamic Fire Damper</i> | | |
|----------------------------|---|---|
| Damper Size | Maximum Static Pressure (damper closed) | Mounting Location & Orientation V = Vertical |
| 24 x 24 | 4" | <u>Maximum Air Flow</u> 3000 fpm |

FREE AREA CALCULATIONS IN SQ. FT.

| | WIDTH | | | | | | | | | | | | | | | |
|--------|-------|------|------|------|------|------|------|-------|-------|-------|-------|-------|-------|-------|-------|------|
| | 4 | 8 | 12 | 16 | 20 | 24 | 28 | 32 | 36 | 40 | 44 | 48 | 52 | 56 | 60 | |
| HEIGHT | 4 | 0.03 | 0.09 | 0.10 | 0.20 | 0.30 | 0.30 | 0.40 | 0.40 | 0.50 | 0.60 | 0.60 | 0.70 | 0.70 | 0.80 | 0.80 |
| 8 | 0.09 | 0.20 | 0.40 | 0.60 | 0.70 | 0.90 | 1.00 | 1.20 | 1.40 | 1.50 | 1.70 | 1.80 | 2.00 | 2.20 | 2.30 | |
| 12 | 0.10 | 0.40 | 0.70 | 0.90 | 1.20 | 1.50 | 1.80 | 2.00 | 2.30 | 2.60 | 2.80 | 3.10 | 3.40 | 3.60 | 3.90 | |
| 16 | 0.20 | 0.60 | 0.90 | 1.30 | 1.70 | 2.00 | 2.40 | 2.80 | 3.10 | 3.50 | 3.90 | 4.20 | 4.60 | 5.00 | 5.30 | |
| 20 | 0.20 | 0.70 | 1.20 | 1.70 | 2.10 | 2.60 | 3.10 | 3.50 | 4.00 | 4.50 | 5.00 | 5.40 | 5.90 | 6.40 | 6.80 | |
| 24 | 0.30 | 0.90 | 1.40 | 2.00 | 2.60 | 3.20 | 3.70 | 4.30 | 4.90 | 5.40 | 6.00 | 6.60 | 7.10 | 7.70 | 8.30 | |
| 28 | 0.40 | 1.00 | 1.70 | 2.40 | 3.00 | 3.70 | 4.40 | 5.00 | 5.70 | 6.40 | 7.00 | 7.70 | 8.40 | 9.00 | 9.70 | |
| 32 | 0.40 | 1.20 | 2.00 | 2.70 | 3.50 | 4.30 | 5.10 | 5.80 | 6.60 | 7.40 | 8.20 | 9.00 | 9.70 | 10.50 | 11.30 | |
| 36 | 0.50 | 1.30 | 2.20 | 3.10 | 4.00 | 4.80 | 5.70 | 6.60 | 7.40 | 8.40 | 9.20 | 10.10 | 11.00 | 11.80 | 12.70 | |
| 40 | 0.50 | 1.50 | 2.50 | 3.50 | 4.40 | 5.40 | 6.40 | 7.40 | 8.40 | 9.30 | 10.30 | 11.30 | 12.30 | 13.20 | 14.10 | |
| 44 | 0.60 | 1.70 | 2.70 | 3.80 | 4.90 | 6.00 | 7.00 | 8.10 | 9.20 | 10.30 | 11.40 | 12.40 | 13.50 | 14.60 | 15.70 | |
| 48 | 0.60 | 1.80 | 3.00 | 4.20 | 5.40 | 6.60 | 7.70 | 8.90 | 10.10 | 11.30 | 12.50 | 13.70 | 14.80 | 16.00 | 17.20 | |
| 52 | 0.70 | 2.00 | 3.30 | 4.50 | 5.80 | 7.10 | 8.40 | 9.70 | 11.00 | 12.20 | 13.50 | 14.80 | 16.10 | 17.40 | 18.70 | |
| 56 | 0.70 | 2.10 | 3.50 | 4.90 | 6.20 | 7.60 | 9.00 | 12.40 | 11.70 | 13.10 | 14.50 | 15.90 | 17.20 | 18.60 | 20.00 | |
| 60 | 0.80 | 2.30 | 3.80 | 5.30 | 6.80 | 8.20 | 9.70 | 11.20 | 12.70 | 14.20 | 15.70 | 17.20 | 18.60 | 20.10 | 21.60 | |