

**Fabricated Roof Curbs Models FRC-GR**

**STANDARD CONSTRUCTION**

**SHELL**

FRC-GR 18 gauge galvanized steel

**BASE**

FRC-GR 18 gauge galvanized steel

**WOOD NAILER**

As required, factory installed

**FASTENERS**

Welded Construction

**INSULATION**

3-lbs. per cu. ft. density, fiberglass insulation

**THICKNESS ( T )**

1-5/8" standard, 3-1/2", 5-1/2"

**MAXIMUM SIZE**

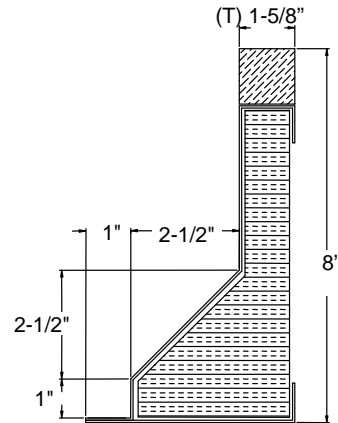
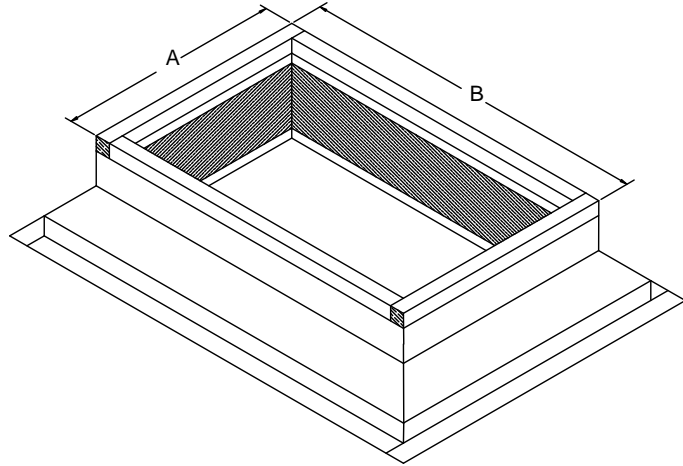
48" x 120" – larger sizes to be shipped in multiple sections for field assembly.

**FINISH**

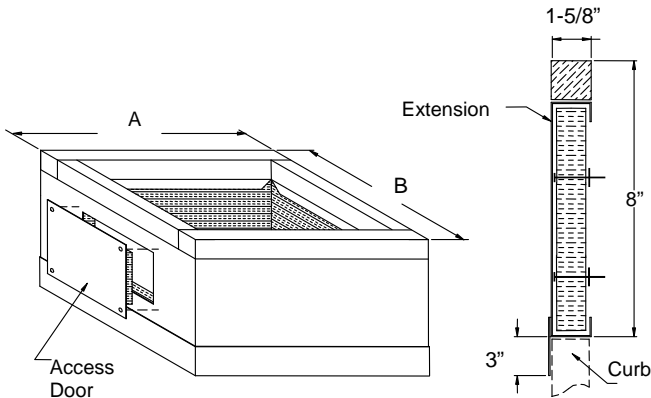
Mill

**OPTIONS:**

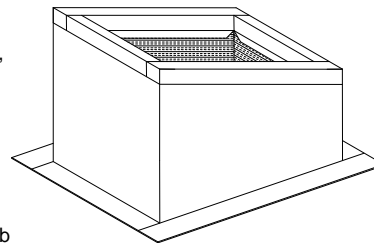
- Aluminum Construction or Stainless Steel
- Heavier Gauge up to 14 gauge galvanized steel
- Prime Coated or Baked / Powder Coat Finish
- Burglar Bars (1/2" dia.)
- Damper Tray
- Curb extension
- Pitched
- Gasket
- Louvered Vents
- Access Door



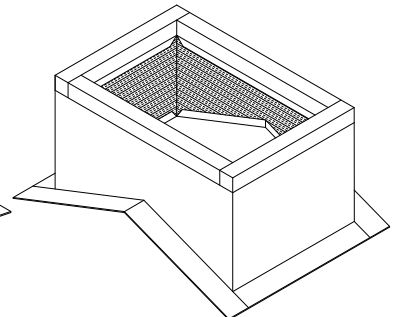
**Raised Cant Curb**



**Curb Extension**



**Single Pitch**



**Double Pitch**

DATE	ARCHITECT			CUSTOMER
PROJECT				
ITEM	QTY	W	H	DESCRIPTION



*A division of Safe Air of Illinois*  
 DEPENDABLE PRODUCTS SINCE 1955  
**DOWCO PRODUCTS GROUP**  
*Engineering and General Offices*  
 1855 South 54<sup>th</sup> Avenue, Cicero, Illinois 60804  
 Phone 708-652-9100 FAX 708-652-9158