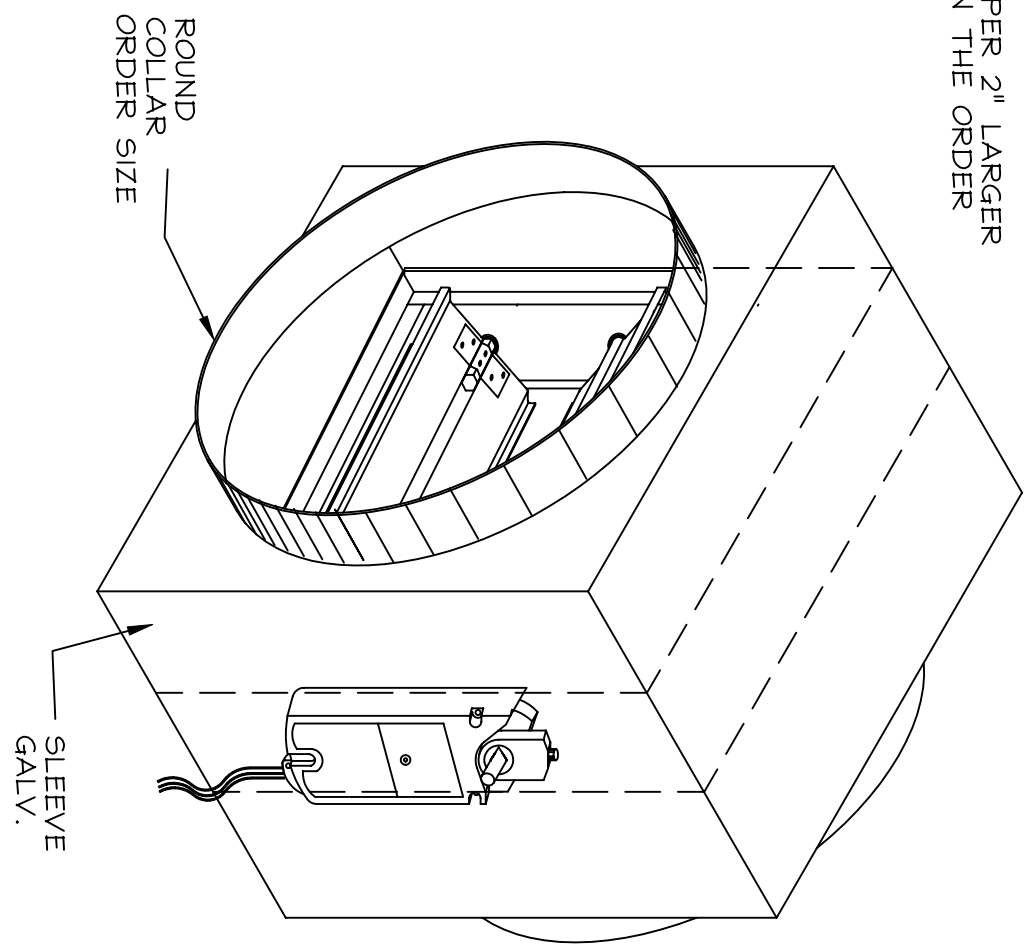


DAMPER 2" LARGER THAN THE ORDER SIZE



NOTE: SLEEVE LENGTH DEPENDS ON THE WALL THICKNESS

771 / 772 - 621 / 622
 BLADE AND FRAME: 16 GA. GALV.
 AXLE: 7/16" HEX SHAFT
 BUSHING: 1/2" DIA. BRONZE BEARINGS
 LINKAGE: PLATED STEEL CONCEALED INSIDE THE JAMB
 SEAL:
 FINISH: MILL

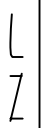
REV.	DESCRIPTION	DATE	BY

ARCH/ENGR: _____

CUSTOMER: _____

PROJECT: FIRE/SMOKE DAMPER SQUARE TO ROUND


DATE: 8/7/02

DRAWN: 

CHKD: _____

TITLE: _____

DRWG #: _____



DEPENDABLE PRODUCTS SINCE 1955

708-652-9100 FAX-652-9158

1855 SOUTH 54TH AVENUE, CICERO, IL. 60640