

Heavy Duty High Pressure Backdraft Damper – Model HTR-1BD

Design Features – High pressure industrial round backdraft damper provides 40" W. G. maximum static pressure.

STANDARD CONSTRUCTION

FRAME

Steel channel, dimensions vary according to size

BLADES

Steel, may require stiffeners, dimensions vary according to size

BLADE AXLES & BEARINGS

AXLE – Continuous steel shaft

BEARING – 2-bolt flange on standoff bracket with packing gland

BLADE STOP

3/8" x 3/8" steel

MAXIMUM VELOCITY & STATIC PRESSURE

7000 FPM @ 40" W. G.

MIN. & MAX. TEMPERATURE

-40° F to 250° F – Standard

-400° F to 900° F (optional) clearance between blade & frame will be increased

MAXIMUM SIZE

48" Diameter

MINIMUM SIZE

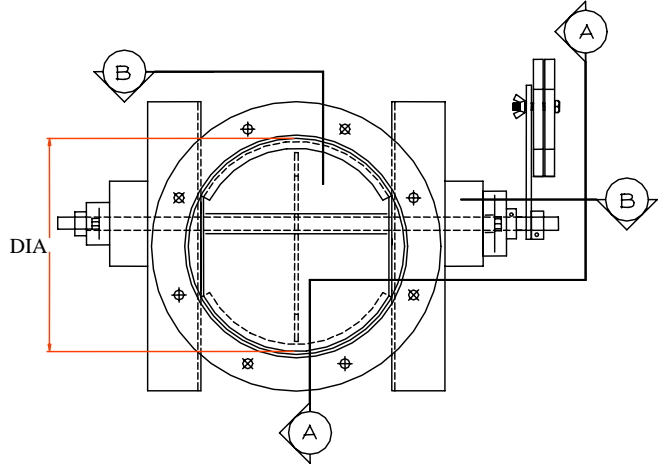
4" Diameter

FINISH

Factory Standard Paint

ACTUATOR

Adjustable Counterweight



Elevation

OPTIONAL CONSTRUCTION

SPECIFIED MATERIAL – Available in stainless steel, 304 or 316

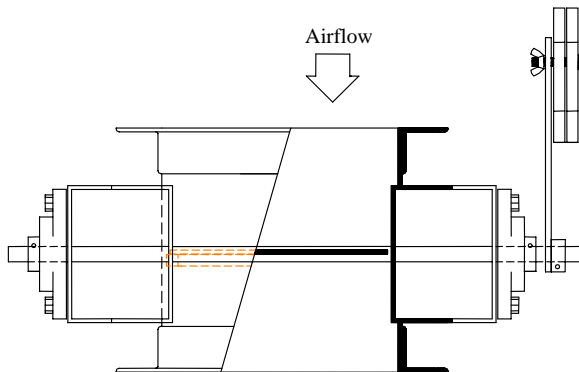
FINISH – Air-dry primer, polyurethane, epoxy, or enamel. Baked epoxy or enamel. For industrial special purpose coating, please consult Dowco.

BOLT HOLES – Based on standard bolt circles available

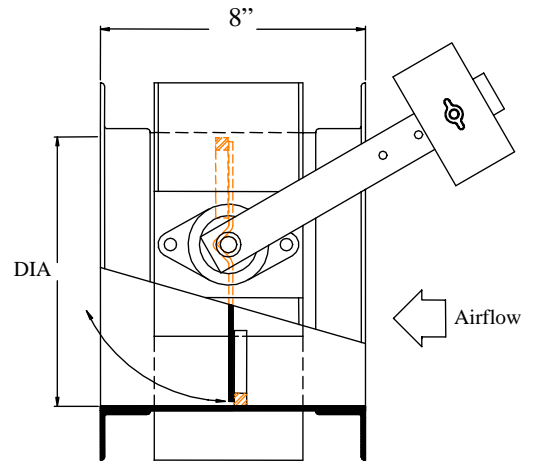
SEALS - Silicone blade edge seal secured with 12 ga. 1-1/2 ring bolted to blade

SPECIAL PURPOSE CONSTRUCTION

For higher temperatures and velocities, please consult Dowco.



Sect. "B-B"



Sect. "A-A"

DATE	ARCHITECT / ENGINEER			CUSTOMER
PROJECT				
ITEM	QTY	W	H	DESCRIPTION