

Compression Style Access Doors for Round duct – Model RAD

Design Features – Offers quick installation and easy access on virtually any ductwork applications. It has a sandwich type design with a neoprene gasket that holds it tight to the duct wall to help minimize leakage.

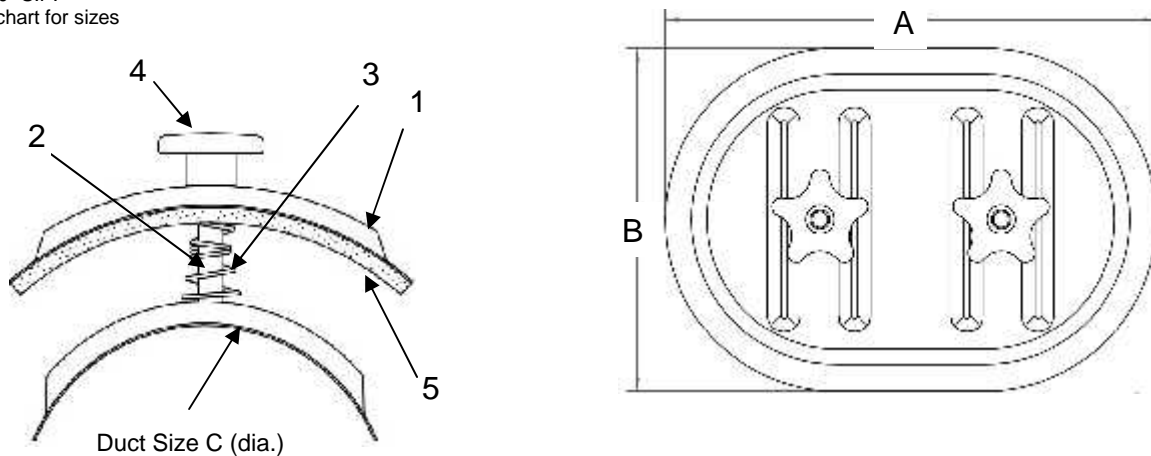
STANDARD CONSTRUCTION

1. Formed 20 gauge galvanized metal plates
2. Steel bolt
3. Steel compression springs
4. Hard Knob with steel insert
5. Closed cell neoprene gasket



Notes:

Self adhesive template included for accurate cut-out
 Tested to 20" S.P.
 Reference chart for sizes



RAD (Un-insulated)

MODEL	RAD48-7	RAD48-11	RAD48-14	RAD812-14	RAD812-18	RAD812-22	RAD1216-18	RAD1216-24
A x B	4" x 8"	4" x 8"	4" x 8"	8" x 12"	8" x 12"	8" x 12"	12" x 16"	12" x 16"
C (dia.)	6" to 7"	8" to 11"	12" to 14"	12" to 14"	15" to 18"	19" to 22"	16" to 18"	20" to 24"

RADN (Insulated) Special order

MODEL	RADN48-7	RADN48-11	RADN48-14	RADN812-14	RADN812-18	RADN812-22	RADN1216-18	RADN1216-24
A x B	4" x 8"	4" x 8"	4" x 8"	8" x 12"	8" x 12"	8" x 12"	12" x 16"	12" x 16"
C (dia.)	6" to 7"	8" to 11"	12" to 14"	12" to 14"	15" to 18"	19" to 22"	16" to 18"	20" to 24"

DATE		ARCHITECT / ENGINEER			CUSTOMER	
PROJECT						
ITEM	QTY	A	B	DESCRIPTION		



DEPENDABLE PRODUCTS SINCE 1955

SAFE AIR / DOWCO

Engineering and General Offices

1855 South 54th Avenue, Cicero, Illinois 60804

Phone 708-652-9100 FAX 708-652-9158