

Roof Hood Gravity Ventilator - Models: RHS-15

Design Features – Economical gravity ventilator to cover and protect roof top openings. This dual-purpose design has a pitched roof stressed for wind and snow loads, and may be used as an outside air intake or for pressure relief exhaust applications.

STANDARD CONSTRUCTION

BASE

18 gauge (304) stainless steel
 Models : **RHS-15e (exhaust) / RHS-15i (intake)**

HOOD

18 gauge (304) stainless steel
 Models : **RHS-15e (exhaust) / RHS-15i (intake)**

BASIC CONSTRUCTION

Welded and mechanical type (rivets or screws)

MAXIMUM THROAT SIZE

60" W x 120" L
 For larger size – consult factory

MAXIMUM THROAT SIZE FACTORY ASSEMBLED UNIT

48" W X 60" L (larger sizes shipped in sections for field assembly)

MINIMUM SIZE

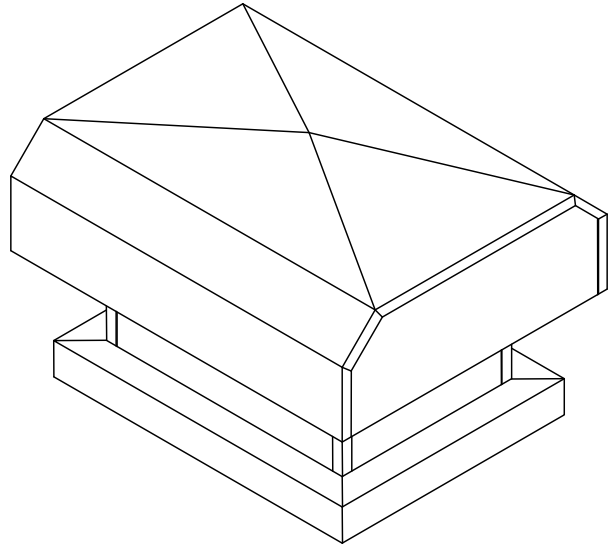
12" W x 12" L

SCREEN

1/2" Mesh x 14 ga. stainless steel screen

FINISH

Mill



OPTIONAL CONSTRUCTION

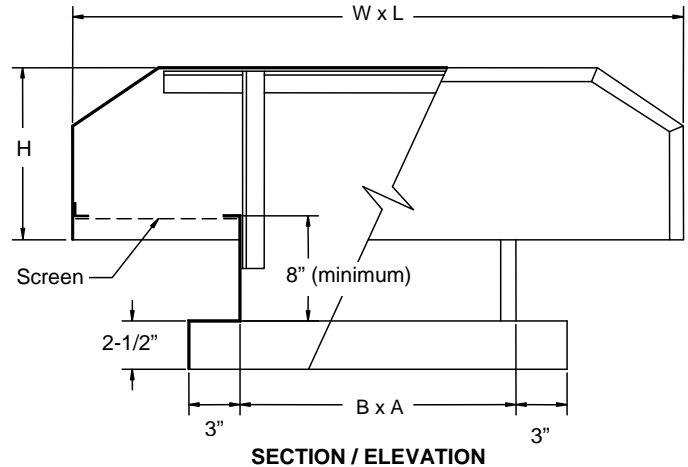
BASE & HOOD – Available in heavier construction up to 10 gauge

SCREEN - Many styles available please consult screen listing
FINISH – Air-dry primer, polyurethane, baked epoxy or enamel, Kynar, or Powder coat. Anodized for aluminum.

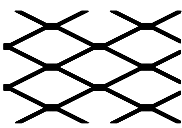
INSULATION – Anti-condensation coating under hood, solid fiberglass insulation with aluminum backing.

SPECIAL PURPOSE CONSTRUCTION

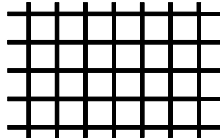
- Damper mounted in throat
- Fully welded construction
- Security bars in throat
- Hinged at throat for swing up access (will affect "H" dimension)
- Filter racks



SCREEN STYLES

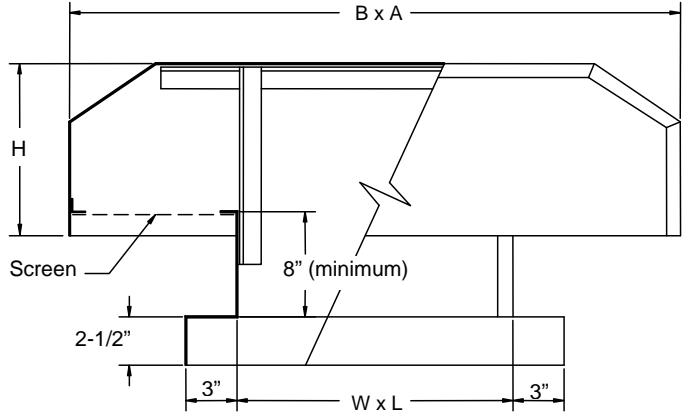
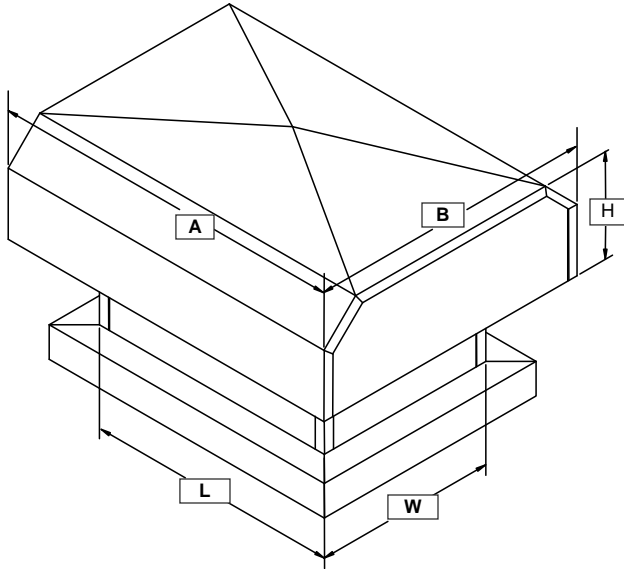


Expanded Aluminum



Wire Mesh Standard

DATE		ARCHITECT / ENGINEER			CUSTOMER	
PROJECT						
ITEM	QTY	W	H	DESCRIPTION		



To determine the throat velocity in fpm:
 CFM (volume of air) divided by throat area (sq. ft)

To size a gravity ventilator: in Sq. Ft. (throat area)
 CFM (volume of air) divided by required velocity (FPM)
 Then choose either for exhaust or intake.

STATIC PRESSURE LOSS (inches w.g.)				
Throat Velocity	100 %		200 %	
	Exhaust	Intake	Exhaust	Intake
300 FPM	.011	.017	.009	
400 FPM	.020	.030	.013	
500 FPM	.031	.048	.020	
600 FPM	.045	.070	.030	
700 FPM	.064	.095	.040	
800 FPM	.080	.124	.053	
900 FPM	.105	.159	.068	
1000 FPM	.122	.197	.082	
1100 FPM	.150	.235	.101	
1200 FPM	.185	.281	.120	

		LENGTH - L (inches)															
		12	18	24	30	36	42	48	54	60	66	72	78	84	90	96	
12	H	7	8	8	8	9	9	9	9	9	9	9	9	9	9	9	
	A	25	30	40	46	53	60	60	70	77	83	90	96	102	108	114	
18	H		9	9	10	10	10	11	11	11	11	11	11	11	12	12	
	A		35	39	48	55	60	71	79	87	85	94	100	106	112	119	
24	H			10	11	11	12	12	12	13	13	13	13	13	13	14	
	A			44	50	60	60	72	78	85	91	97	104	110	116	120	
30	H				12	12	13	13	14	14	14	15	15	15	15	15	
	A				48	60	65	74	84	91	94	104	108	114	120	120	
36	H					13	14	14	15	15	16	16	16	17	17	17	
	A					60	71	77	75	83	90	98	106	113	120	128	
42	H						15	15	16	16	17	17	18	18	18	19	
	A						70	78	86	95	104	113	122	124	127	133	
48	H							16	17	17	18	18	19	19	20	20	
	A							88	88	91	102	109	116	120	120	136	
54	H								18	18	19	19	20	20	21	21	
	A								89	96	104	111	118	120	132	139	
60	H									19	20	20	21	22	22	22	
	A									98	106	113	120	126	134	134	
66	H										21	21	22	22	23	24	
	A										103	111	122	129	136	146	
72	H											22	23	23	24	25	
	A											120	135	140	154	164	
78	H												24	24	25	26	
	A												144	154	165	181	
84	H													25	26	26	
	A													127	138	147	
90	H														27	27	
	A														148	157	
96	H															28	
	A															167	

		LENGTH - L (inches)															
		12	18	24	30	36	42	48	54	60	66	72	78	84	90	96	
12	H	7	8	8	8	9	9	9	9	9	9	9	9	9	9	9	
	A	26	30	40	47	47	60	60	79	87	83	90	96	102	108	114	
18	H		9	9	10	10	10	11	11	11	11	11	11	11	12	12	
	A		37	45	48	56	60	69	75	82	87	98	104	112	120	125	
24	H			10	11	11	12	12	12	13	13	13	13	13	13	14	
	A			46	57	60	65	66	74	82	90	97	105	112	120	128	
30	H				12	12	13	13	14	14	14	15	15	15	15	15	
	A				60	63	73	82	91	101	110	103	108	114	120	126	
36	H					13	14	14	15	15	16	16	16	17	17	17	
	A					75	77	77	86	94	97	104	110	117	120	130	
42	H						15	15	16	16	17	17	18	18	18	19	
	A						84	86	88	93	100	109	113	126	131	137	
48	H							16	17	17	18	18	19	19	20	20	
	A							91	98	104	110	118	130	144	154	163	
54	H								18	18	19	19	20	20	21	21	
	A								108	117	127	138	150	161	172	182	
60	H									19	20	20	21	22	22	22	
	A									130	140	153	166	178	146	154	
66	H										21	21	22	22	23	24	
	A										158	155	176	156	161	172	
72	H											22	23	23	24	25	
	A											144	153	162	175	187	
78	H												24	24	25	26	
	A												166	178	158	168	
84	H													25	26	26	
	A													168	169	171	
90	H														27	27	
	A														181	193	
96	H															28	
	A															192	