

EQUIPMENT SUPPORT - Models SE-GC

STANDARD CONSTRUCTION

SHELL

18 gauge galvanized steel

BASE

18 gauge galvanized steel

SUPPORTS

Internal reinforcement @ 18"

WOOD NAILER

3.50" (see schedule)

FASTENERS

Welded Construction

THICKNESS (T)

1-5/8" standard (see schedule)

MAXIMUM LENGTH

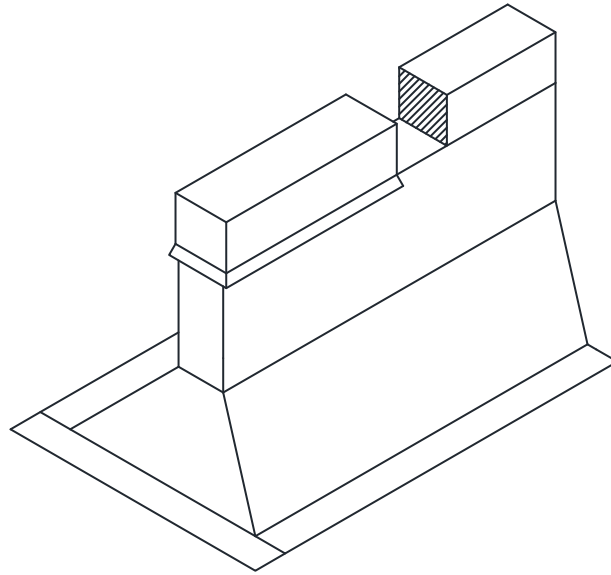
120" – larger sizes to be shipped in multiple sections for field assembly.

FINISH

Mill

OPTIONS:

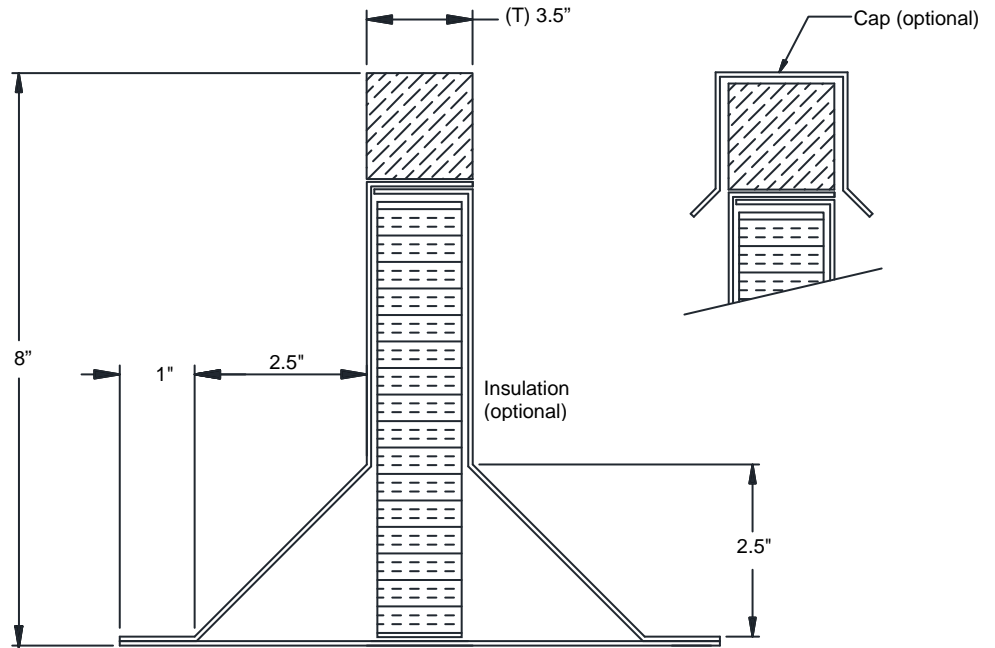
- Aluminum Construction or Stainless Steel
- Heavier Gauge up 14 gauge galvanized steel
- Prime Coated or Baked / Powder Coat Finish
- Gasket
- Cap
- Insulation



Model SE-GC

MODEL SELECTION

Model	(T) – Thickness
SE-GC-3	3-1/2" - std
SE-GC-5	5-1/2"
SE-GC-7	7-1/2"
SE-GC-9	9-1/2"
SE-GC-11	11-1/2"



DATE		ARCHITECT		CUSTOMER	
PROJECT					
ITEM	QTY	W	H	DESCRIPTION	



DEPENDABLE PRODUCTS SINCE 1955

SAFE-AIR OF ILLINOIS INC.

Engineering and General Offices

1855 South 54th Avenue, Cicero, Illinois 60804

Phone 708-652-9100 FAX 708-652-9158