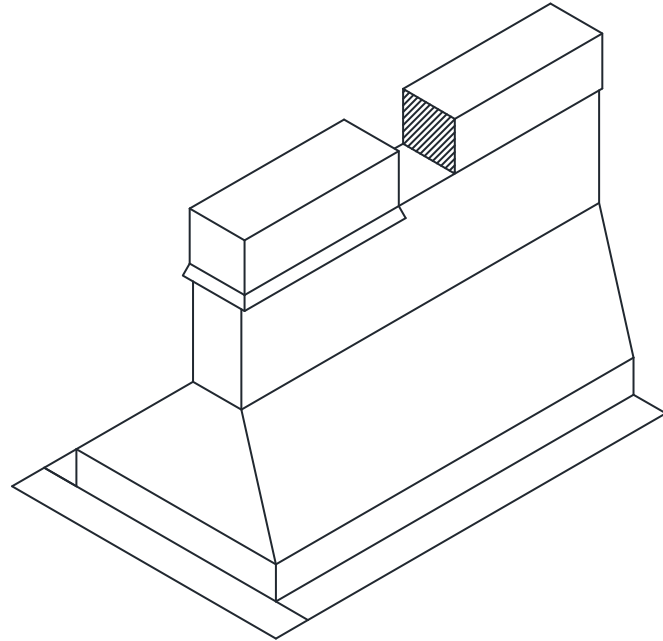


EQUIPMENT SUPPORT - Models SE-GR

STANDARD CONSTRUCTION

- SHELL**
18 gauge galvanized steel
- BASE**
18 gauge galvanized steel
- SUPPORTS**
Internal reinforcement @ 18"
- WOOD NAILER**
3.50" (see schedule)
- FASTENERS**
Welded Construction
- THICKNESS (T)**
1-5/8" standard (see schedule)
- MAXIMUM LENGTH**
120" – larger sizes to be shipped in multiple sections for field assembly.
- FINISH**
Mill



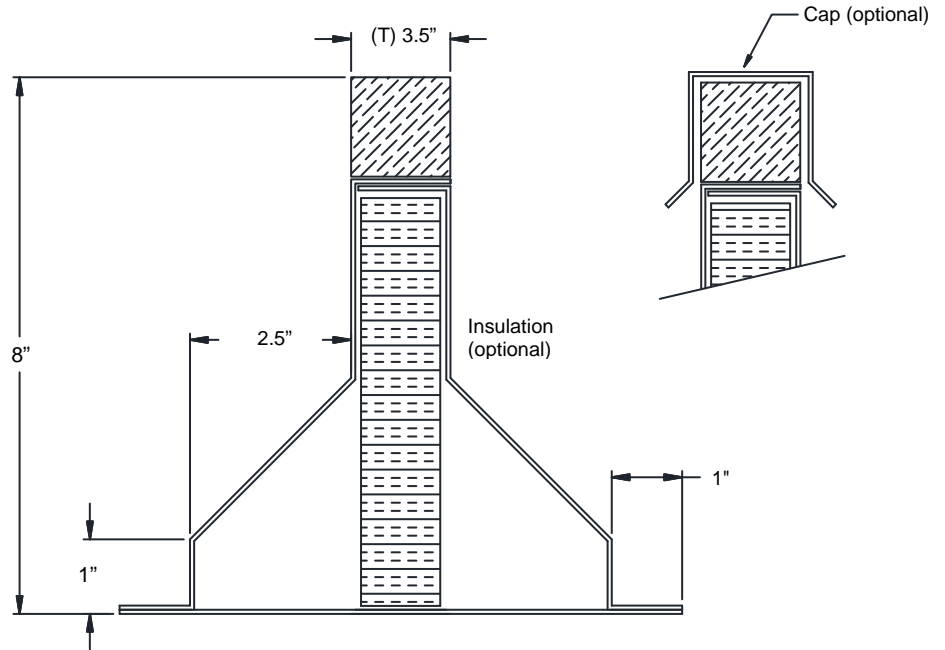
Model SE-GR

OPTIONS:

- Aluminum Construction or Stainless Steel
- Heavier Gauge up 14 gauge galvanized steel
- Prime Coated or Baked / Powder Coat Finish
- Gasket
- Cap
- Insulation

MODEL SELECTION

Model	(T) - Thickness
SE-GR-3	3-1/2" - std
SE-GR-5	5-1/2"
SE-GR-7	7-1/2"
SE-GR-9	9-1/2"
SE-GR-11	11-1/2"



DATE		ARCHITECT			CUSTOMER	
PROJECT						
ITEM	QTY	W	H	DESCRIPTION		



DEPENDABLE PRODUCTS SINCE 1955

SAFE-AIR OF ILLINOIS INC.

Engineering and General Offices

1855 South 54th Avenue, Cicero, Illinois 60804

Phone 708-652-9100 FAX 708-652-9158