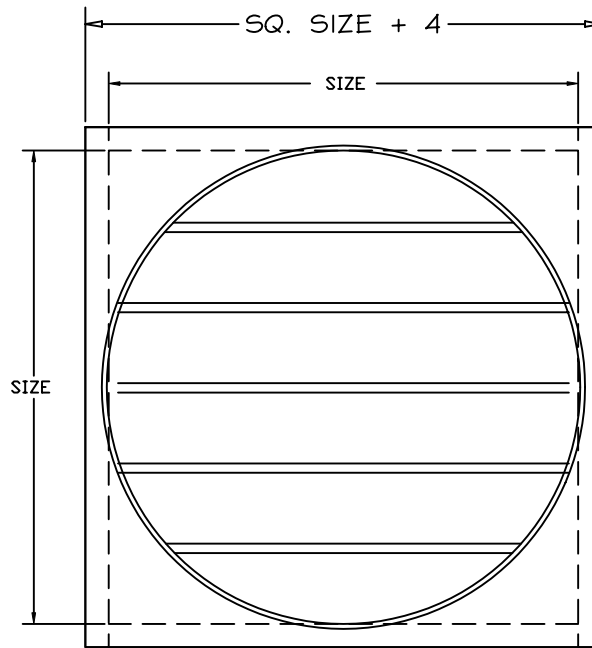
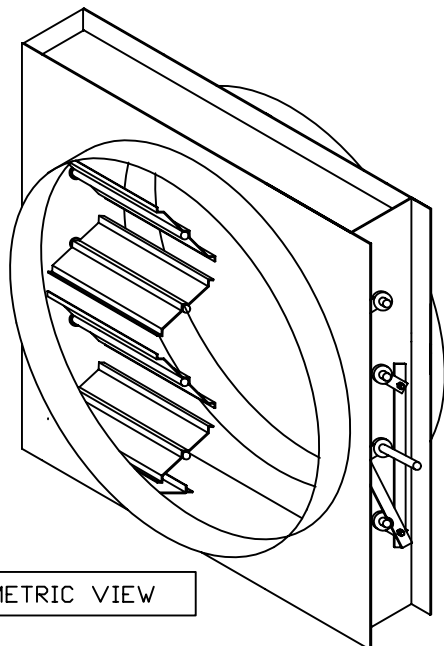


VERT. SECT.



FRONT ELEVATION



ISOMETRIC VIEW

SQUARE TO ROUND

DAMPER SCHEDULE

TAG	QTY	SIZE (W X H)

NOTE: ALL DIMENSIONS ARE MEASURED INSIDE (I.D.) PLUS FLANGE.

CONSTRUCTION

MODEL: ARO/AAO

FRAME: \_\_\_\_\_

BLADE: \_\_\_\_\_

BLADE STOPS: \_\_\_\_\_

BLADE SHAFT: \_\_\_\_\_

BEARINGS: \_\_\_\_\_

LINKAGE: \_\_\_\_\_

BLADE SEAL: \_\_\_\_\_

JAMB SEAL: \_\_\_\_\_

FINISH: NATURAL

ACTUATOR: (OPCIONAL) DIRECT DRIVE

SAFE-AIR



DEPENDABLE PRODUCTS SINCE 1955

DOWCO

708-652-9100 FAX-652-9158  
1855 SOUTH 54TH AVENUE, CICERO, IL. 60804

ARCH/ENGR:

CUSTOMER:

REV.	DESCRIPTION	DATE	BY	PROJECT:	TITLE:
				DATE: 11/13/99	
				DRAWN: <u>JN</u>	DRWG #: D-522-2
				CHKD: _____	