

## SUN SHADES – Model SSE-14 / series

**Design Features** – Helps reduce building energy consumption and prevent the sun penetrating through the building.

### STANDARD CONSTRUCTION

**OUTRIGGER**

4" x 1/4" plate extruded aluminum  
alloy 6063-T5, Plate - square

**BLADES**

.081" x 3-7/8" straight blade extruded  
aluminum, alloy 6063-T5

**FASCIA**

.081" Channel extruded aluminum,  
alloy 6063-T5

**MAXIMUM FACTORY ASSEMBLY SIZE**

32" deep x 120"

**MINIMUM SIZE**

12" x 12"

**ASSEMBLY:**

Mechanical type and welded construction

**MOUNTING PLATE :**

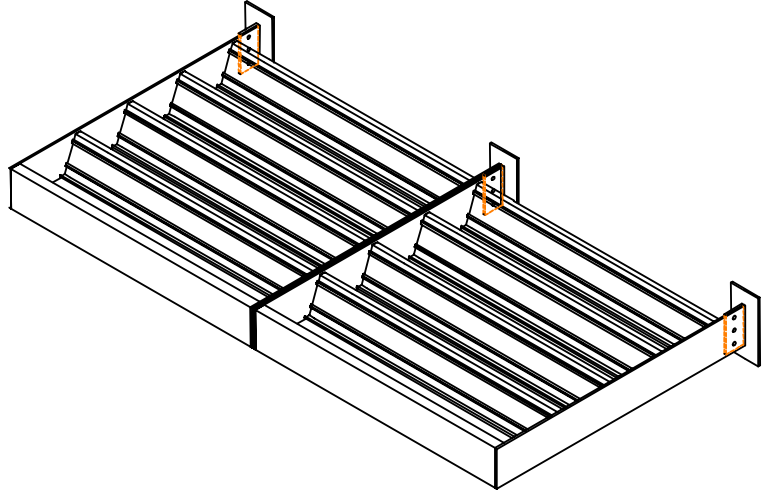
4" x 6" x 1/4" back plate

**UNDERSIZED**

Actual

**FINISH**

Mill



### OPTIONAL CONSTRUCTION

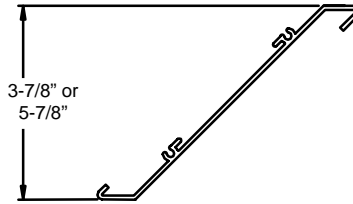
**OUTRIGGER** – Tube, channel, straight-rounded

**BLADES** – Many styles available please listing

**FASCIA** – Channel, plate, bullnose, wedger,  
rectangular

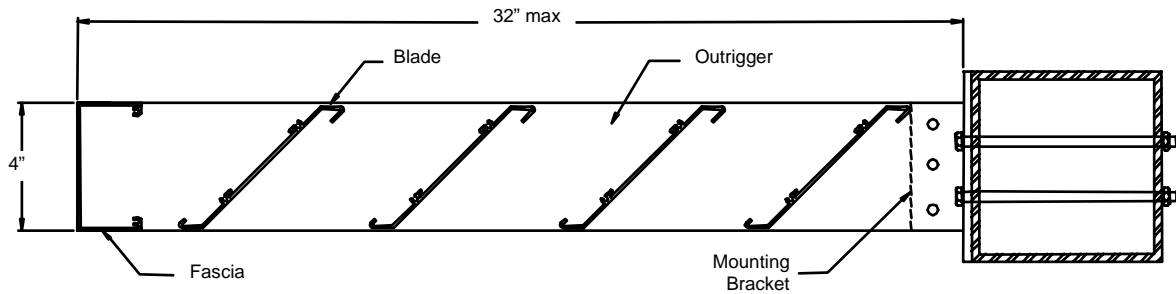
**MOUNTING:** Boot bracket, plate attachment, tee-  
mounting bracket

**FINISH** – Air-dry primer, polyurethane, epoxy, or  
enamel, baked epoxy or enamel, Anodized,  
Kynar 500, or Powder coat.



Model	Blades	Outrigger
SSE-14	3-7/8"	1/4" x 4"
SSE-16	5-7/8"	1/4" x 6"

Straight Blade Options



Typical Section

DATE	ARCHITECT			CUSTOMER
PROJECT				
ITEM	QTY	W	H	DESCRIPTION

**SUN SHADES – Model SSE-14 / series**

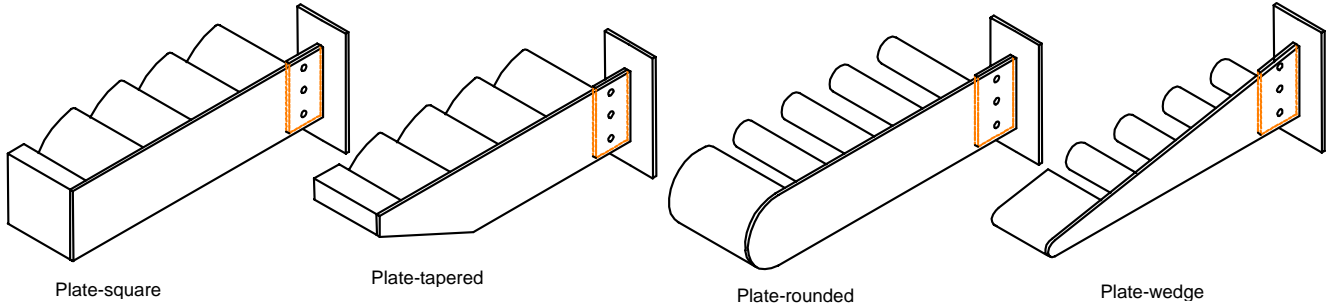


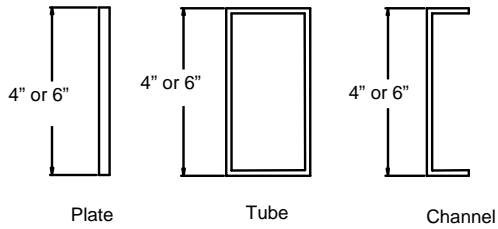
Plate-square

Plate-tapered

Plate-rounded

Plate-wedge

**Outrigger Options**

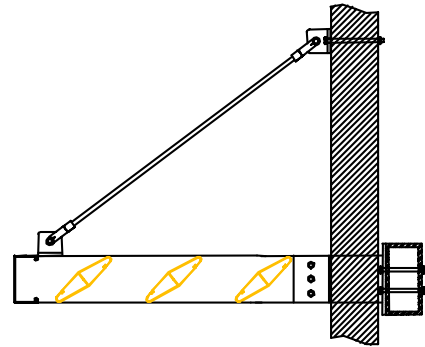


Plate

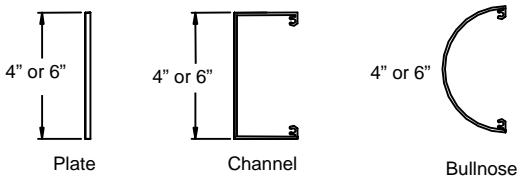
Tube

Channel

**Outrigger Profile Options**



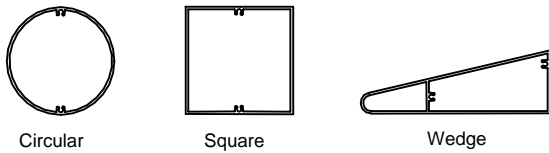
Suspension Rod (over 32" deep)



Plate

Channel

Bullnose

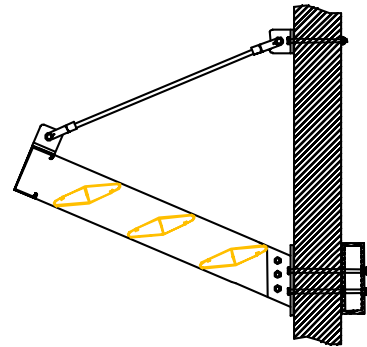


Circular

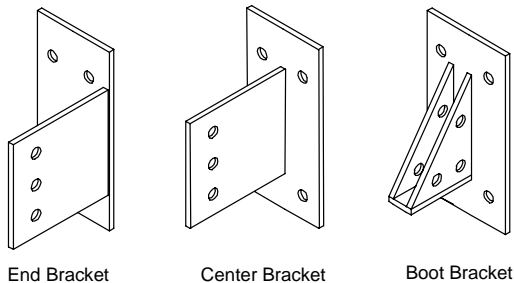
Square

Wedge

**Fascia Options**



Suspension Rod, Tilted 20 deg. Upward

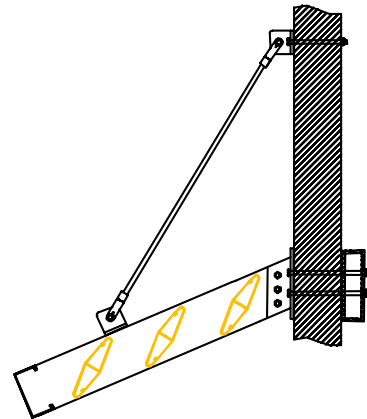


End Bracket

Center Bracket

Boot Bracket

**Mounting Bracket Options**



Suspension Rod, Tilted 20 deg. Downward