

SUN SHADES – Model SSE-34 / series

Design Features – Helps reduce building energy consumption and prevent the sun penetrating through the building.

STANDARD CONSTRUCTION

OUTRIGGER

4" x 1/4" plate extruded aluminum
alloy 6063-T5, Plate - square

BLADES

.081" x 3-7/8" arched extruded aluminum,
alloy 6063-T5

FASCIA

.081" Channel extruded aluminum,
alloy 6063-T5

MAXIMUM FACTORY ASSEMBLY SIZE

32" deep x 120"

MINIMUM SIZE

12" x 12"

ASSEMBLY:

Mechanical type and welded construction

MOUNTING PLATE :

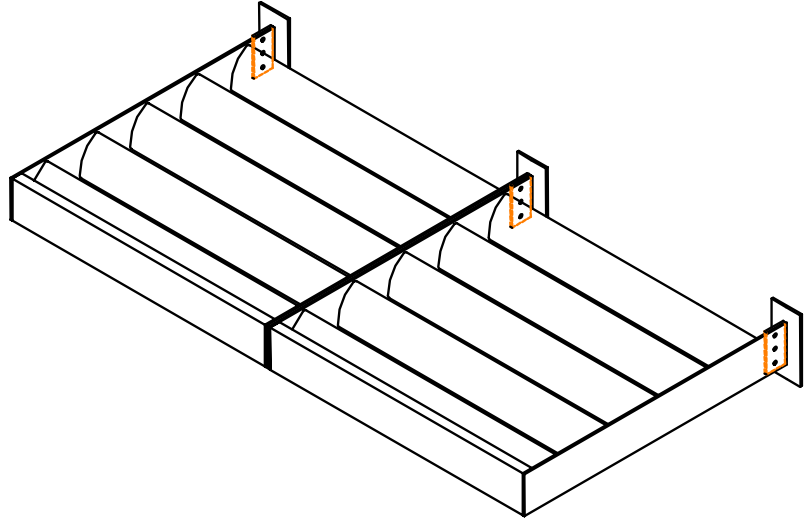
4" x 6" x 1/4" back plate

UNDERSIZED

Actual

FINISH

Mill



OPTIONAL CONSTRUCTION

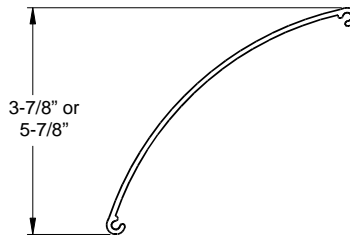
OUTRIGGER – Tube, channel, straight-rounded

BLADES – Many styles available please listing

FASCIA – Channel, plate, bullnose, wedger,
rectangular

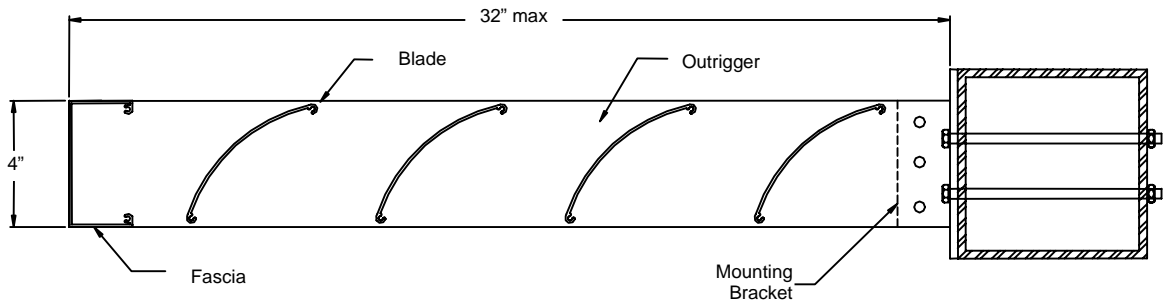
MOUNTING: Boot bracket, plate attachment, tee-
mounting bracket

FINISH – Air-dry primer, polyurethane, epoxy, or
enamel, baked epoxy or enamel, Anodized,
Kynar 500, or Powder coat.



Model	Blades	Outrigger
SSE-34	3-7/8"	1/4" x 4"
SSE-36	5-7/8"	1/4" x 6"

Arched Blade Options



Typical Section

DATE	ARCHITECT			CUSTOMER
PROJECT				
ITEM	QTY	W	H	DESCRIPTION

SUN SHADES – Model SSE-34 / series

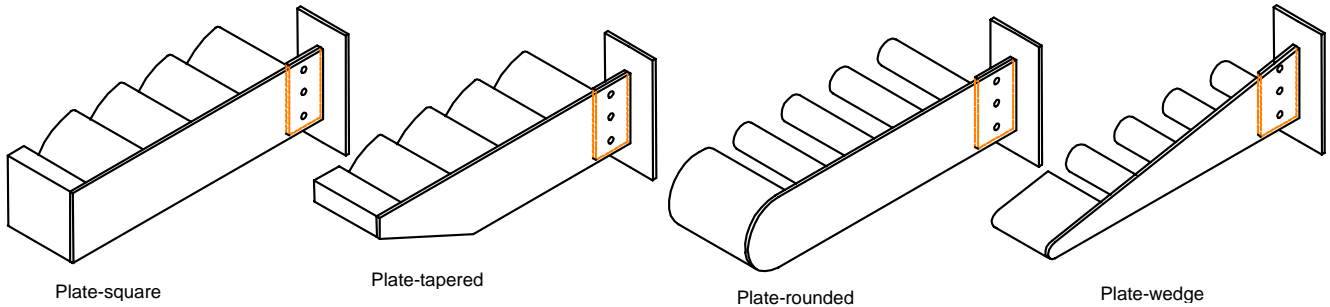


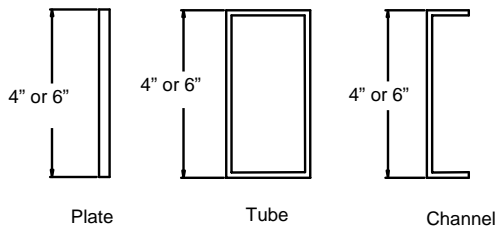
Plate-square

Plate-tapered

Plate-rounded

Plate-wedge

Outrigger Options

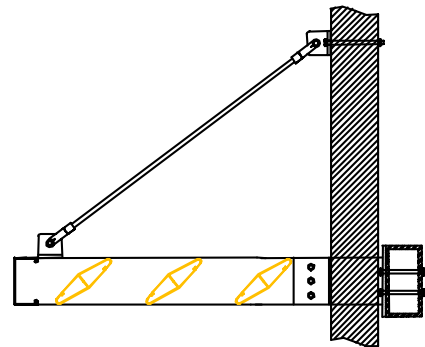


Plate

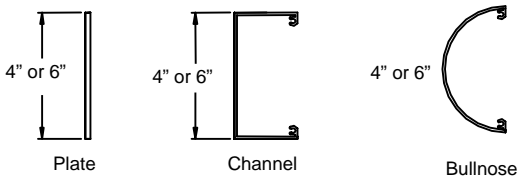
Tube

Channel

Outrigger Profile Options



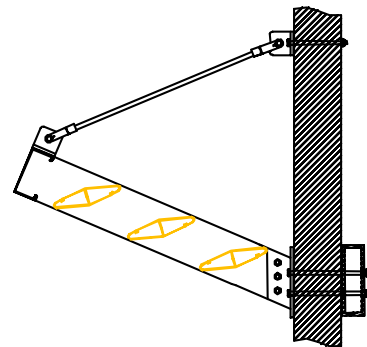
Suspension Rod (over 32" deep)



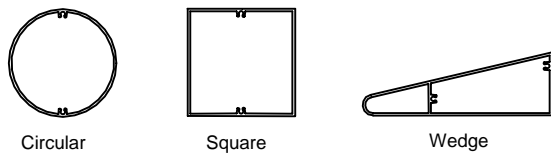
Plate

Channel

Bullnose



Suspension Rod, Tilted 20 deg. Upward

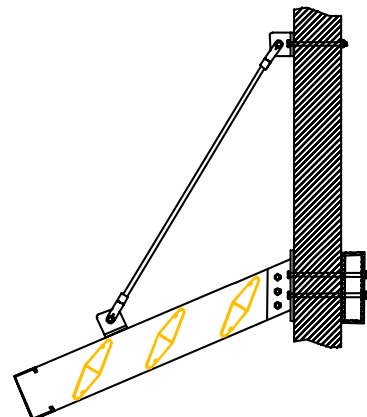


Circular

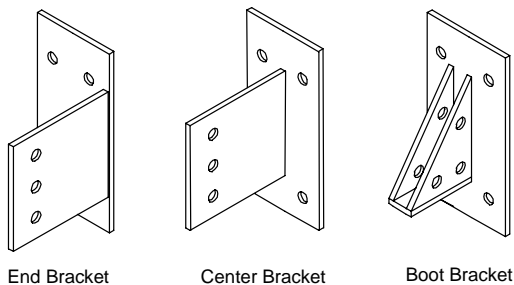
Square

Wedge

Fascia Options



Suspension Rod, Tilted 20 deg. Downward



End Bracket

Center Bracket

Boot Bracket

Mounting Bracket Options