

SUN SHADES – Model SSE-43 / series

Design Features – Helps reduce building energy consumption and prevent the sun penetrating through the building.

STANDARD CONSTRUCTION

OUTRIGGER

4" x 1/4" plate extruded aluminum alloy
6063-T5, Plate - square

BLADES

.081" x 3" square tube extruded aluminum,
alloy 6063-T5

FASCIA

.081" Channel extruded aluminum, alloy
6063-T5

MAXIMUM FACTORY ASSEMBLY SIZE

32" deep x 120"

MINIMUM SIZE

12" x 12"

ASSEMBLY:

Mechanical type and welded construction

MOUNTING PLATE :

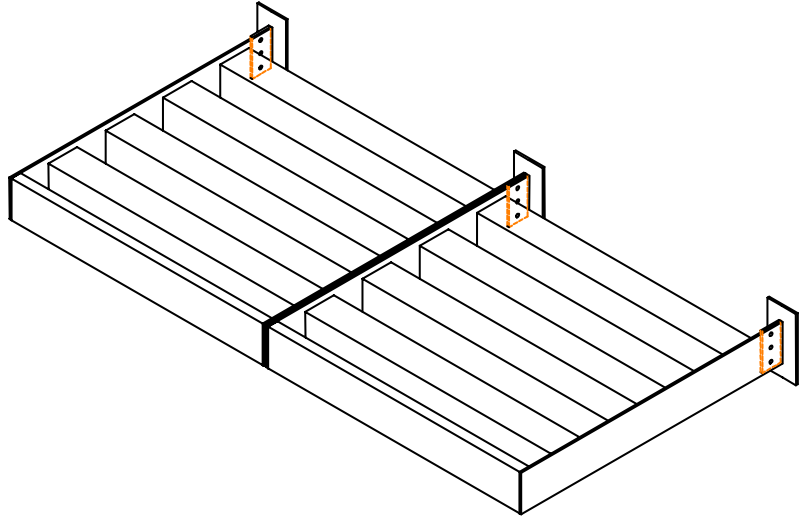
4" x 6" x 1/4" back plate

UNDERSIZED

Actual

FINISH

Mill



OPTIONAL CONSTRUCTION

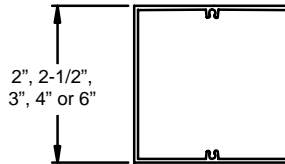
OUTRIGGER – Tube, channel, straight-rounded

BLADES – Many styles available please listing

FASCIA – Channel, plate, bullnose, wedger,
rectangular

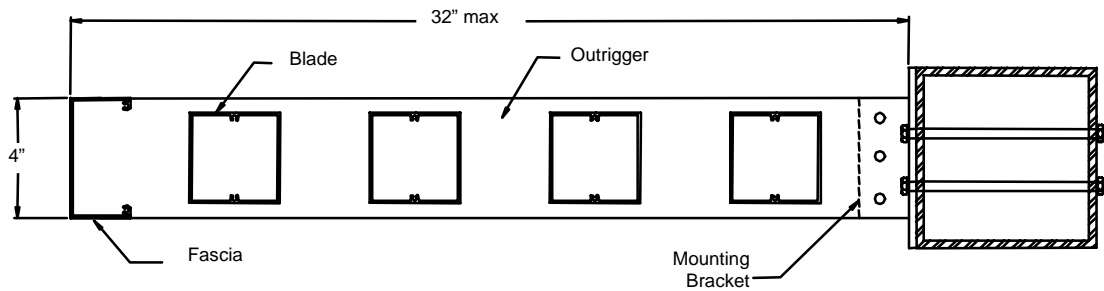
MOUNTING: Boot bracket, plate attachment, tee-
mounting bracket

FINISH – Air-dry primer, polyurethane, epoxy, or
enamel, baked epoxy or enamel, Anodized,
Kynar 500, or Powder coat.



Model	Blades	Outrigger
SSE-42	2" square	1/4" x 3"
SSE-425	2-1/2" square	1/4" x 3-1/2"
SSE-43	3" square – std.	1/4" x 4"
SSE-44	4" square	1/4" x 5"
SSE-46	6" square	1/4" x 8"

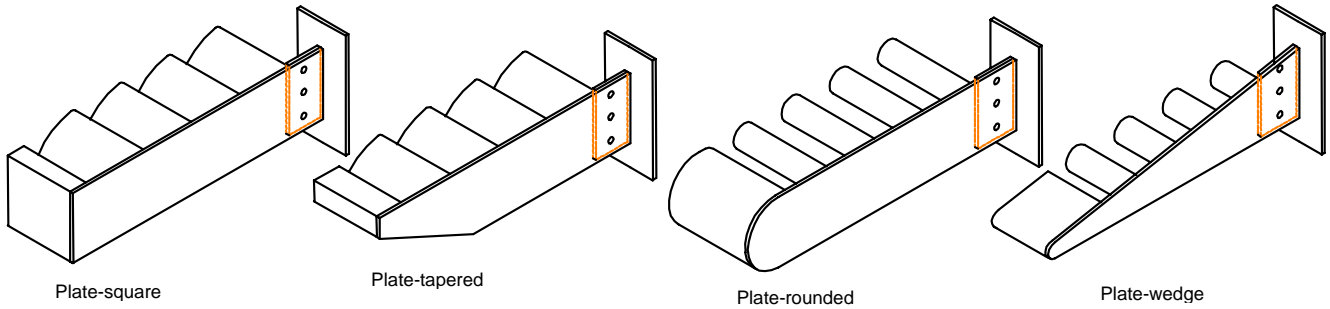
Square Tube Blade Options



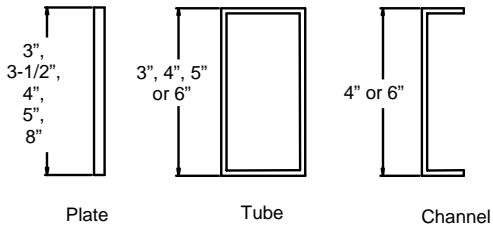
Typical Section

DATE	ARCHITECT			CUSTOMER
PROJECT				
ITEM	QTY	W	H	DESCRIPTION

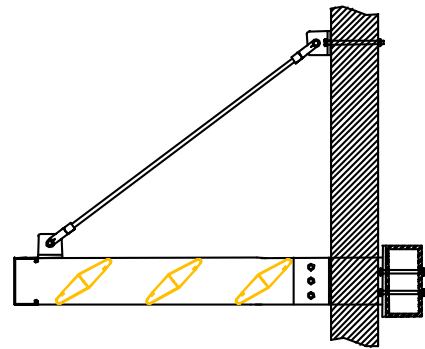
SUN SHADES – Model SSE-43 / series



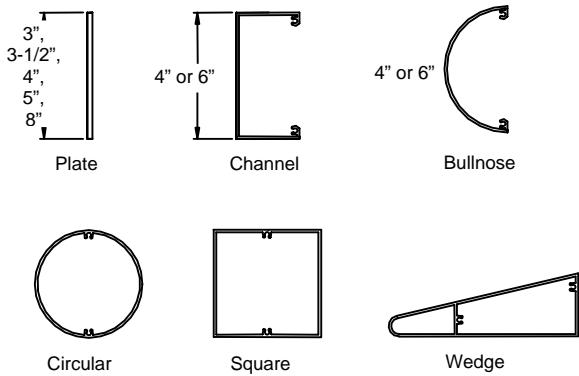
Outrigger Options



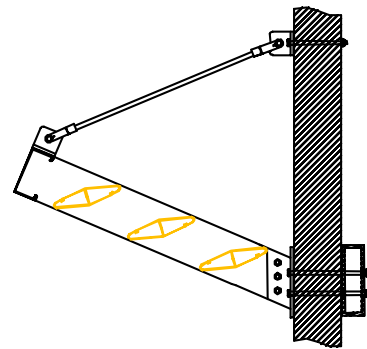
Outrigger Profile Options



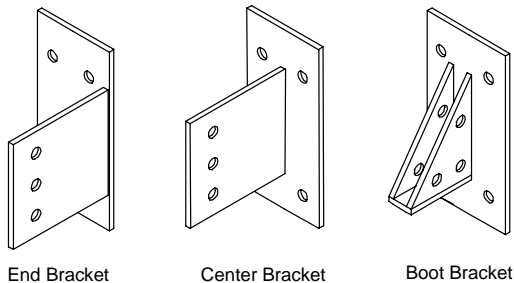
Suspension Rod (over 32" deep)



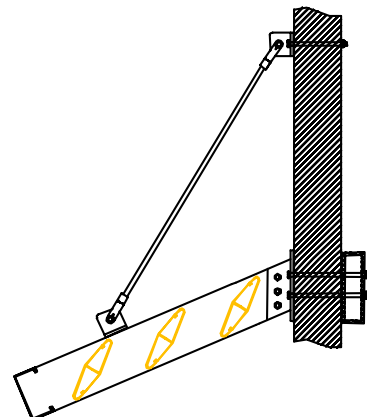
Fascia Options



Suspension Rod, Tilted 20 deg. Upward



Mounting Bracket Options



Suspension Rod, Tilted 20 deg. Downward