

**Exterior Vertical Sunshade in 8" Deep Blade Design - Model SSE-88V**

**Design Features** – Vertical sunshades naturally functions as a control for varying light penetration and reducing building energy consumption as well as provide an appealing contemporary design and architectural aesthetic along the exterior of the building.

**STANDARD CONSTRUCTION**

ALL MATERIAL – EXTRUDED ALUMINUM Alloy (6063-T5), (6063-T6) or (6061-T6)

**BLADES**

8" (204) are .081" (2.1) airfoil extruded aluminum, approx. spacing is 6" (152) OC.

**ENDCAP**

.125" thick aluminum

**MAXIMUM FACTORY ASSEMBLY SIZE**

24" deep x 60" height  
(Type of finish may limit maximum single section)

**MINIMUM SIZE**

12" w x 12" H (305 x 305)

**FASTENERS**

1/2" x 4" Lag bolt

**MOUNTING CLIP**

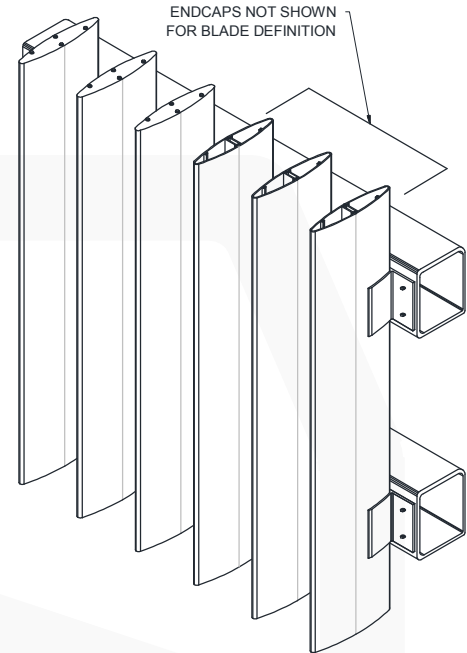
5" x 4-1/4" x 3/16" Aluminum alligator clips  
(Attachments to curtain wall or façade)

**UNDERSIZED**

Actual

**FINISH**

Class I, Clear anodized

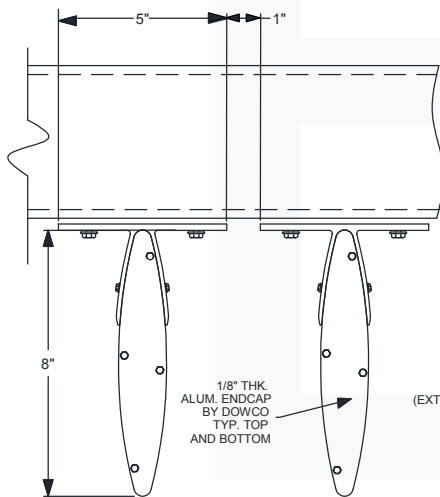


**OPTIONAL CONSTRUCTION**

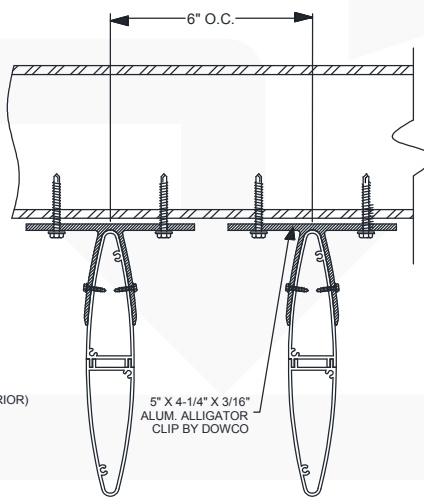
**BLADES** – Many styles available

**MOUNTING** – Boot bracket, plate attachment, Tee-mounting bracket

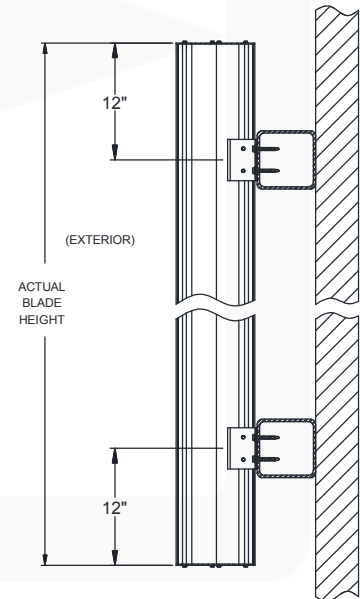
**FINISH** – Air-dry primer, polyurethane, epoxy, or Enamel, baked epoxy or enamel, Anodized, Kynar 500, or Powder coat



**PLAN VIEW**



**HORIZONTAL SECTION**



**VERTICAL SECTION**

DATE	ARCHITECT/ENGINEER			CUSTOMER
PROJECT				
ITEM	QTY	W	H	DESCRIPTION