

Architectural Vertical Blade Enclosure - Model V-LEY-04 series

Design Features: Vision proof design that provides shading, privacy and security. Attractive concealment of cooling towers, mechanical equipment and parking structures.

STANDARD CONSTRUCTION

BLADES

Chevron blade style, .081" extruded aluminum alloy 6063-T5, vertical blade arrangement, 3" minimum to 4-5/8" maximum blade spacing, 4" deep

SUPPORTS:

2" x 2" x 1/4" extruded aluminum angle alloy 6063-T5

FASTENERS:

#10-16 x 1" plated steel self-tapping screws

MAXIMUM SIZE

Unlimited, structural bracing supplied by others

MAXIMUM FACTORY ASSEMBLY SIZE

60" x 120" or vice versa

MINIMUM SIZE

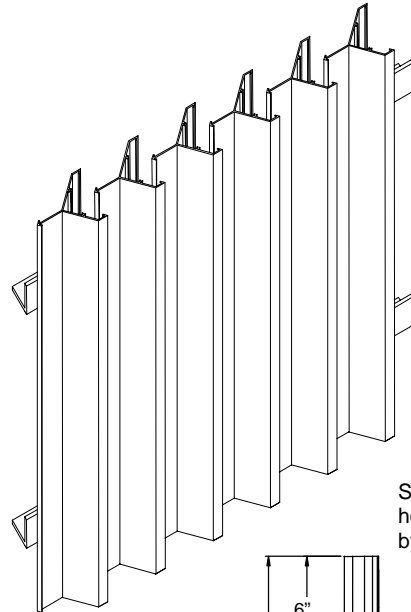
12" x 12"

UNDERSIZED

1/4" under ordered size unless specified Exact or Actual

FINISH

Mill



Steel supports horizontal or vertical by others

OPTIONAL CONSTRUCTION

SUPPORTS – Available in heavier aluminum gauge and steel

FASTENERS – Available in stainless steel

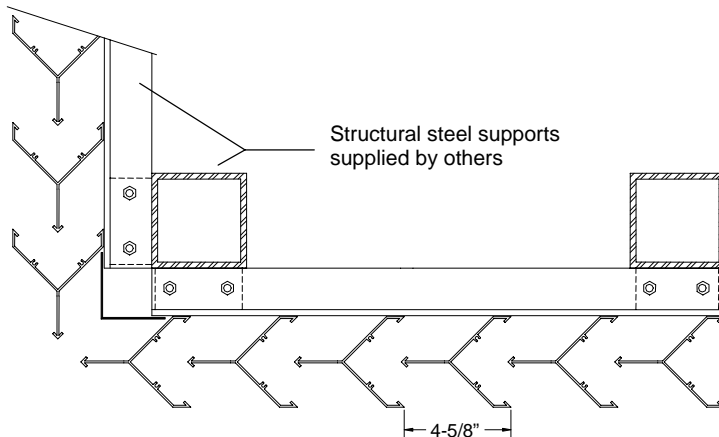
FINISH – Air-dry primer, polyurethane, epoxy, or enamel, baked epoxy or enamel, Anodized, Kynar, or Powder coat.

SPECIAL PURPOSE CONSTRUCTION

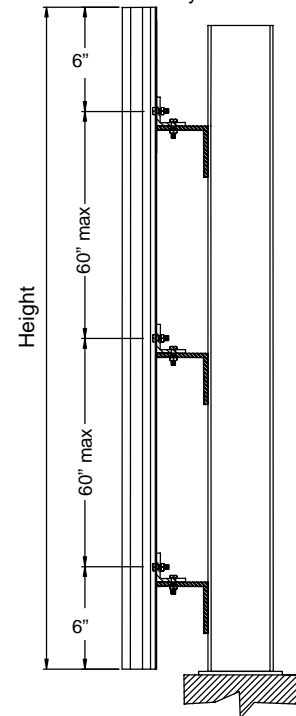
Special shapes: Triangle, Round, Trapezoid, etc.

Fully welded construction

Hinged as walk through door or swing out access



PLAN VIEW



VERTICAL SECTION

DATE	ARCHITECT			CUSTOMER
PROJECT				
ITEM	QTY	W	H	DESCRIPTION



DEPENDABLE PRODUCTS SINCE 1955

SAFE-AIR/DOWCO

Engineering and General Offices

1855 South 54th Avenue, Cicero, Illinois 60804

Phone 708-652-9100 FAX 708-652-9158