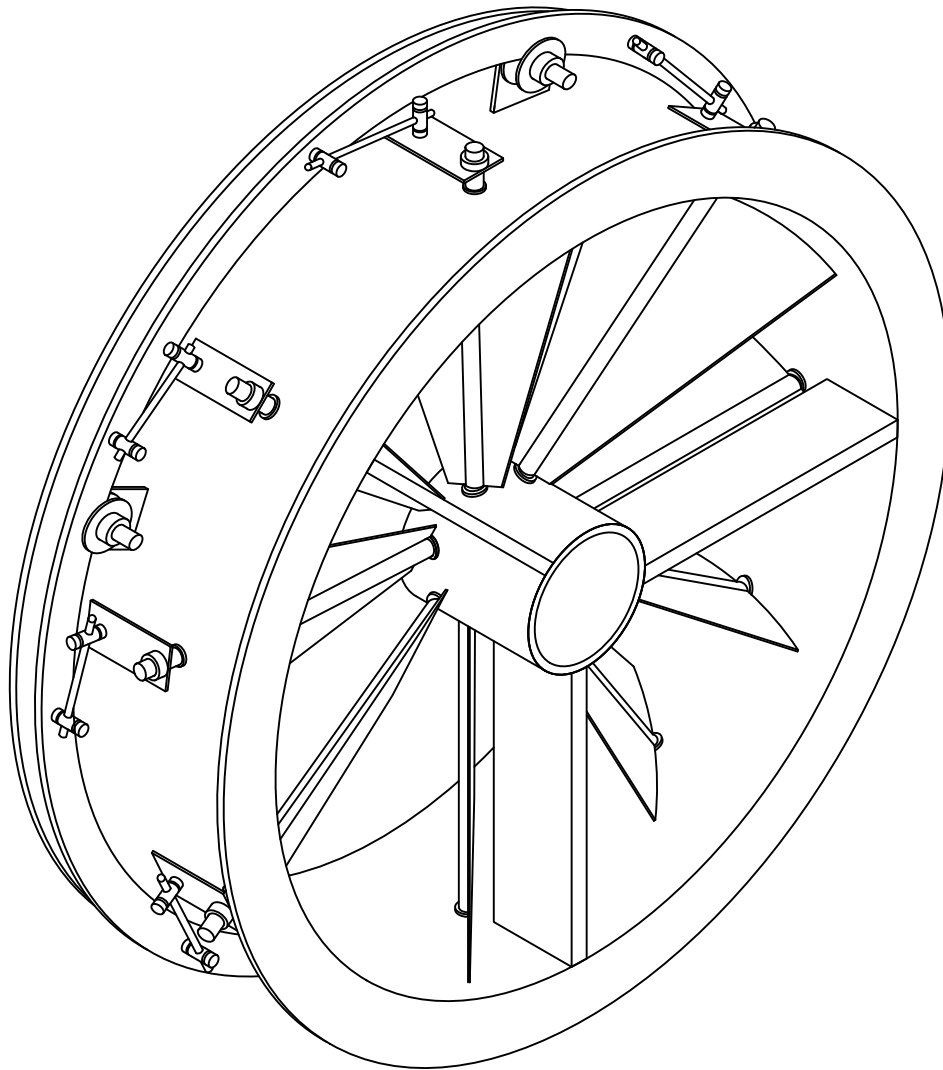


# VID-1 VANE INLET DAMPER MEDIUM DUTY



BASIC CONSTRUCTION  
 FRAME: 10 GA. GALVANIZED STEEL  
 BLADES: 16 GA. GALVANIZED STEEL  
 SHAFTS: 1-1/2" DIA. PLTD. STL.  
 BEARINGS: BRONZE-COMplete WITH  
 THRUST WASHERS  
 HUB: FLAT 10 GA. GALV.  
 LINKAGE: PLATED STEEL CONTROL  
 ROD  
 OPERATOR: MANUAL QUADRANT



					ARCH/ENGR:		CUSTOMER:	
REV.	DESCRIPTION	DATE	BY		PROJECT:			TITLE:
					DATE:	DRAWN: JN	DRWG #:	
						CHKD:		