

Vision Proof Louver Screen in 4" - Model W-IEC-04

Design Features – Inverted 45° angle straight blade design ideal for concealing mechanical equipments.

STANDARD CONSTRUCTION

ALL MATERIAL – EXTRUDED ALUMINUM 6063-T5 (KB-45)

BLADES

4" (102) deep, .081" (2.1) extruded aluminum, approx spacing is 6.75" (171) o.c. @ 45°

SUPPORTS

Blades are snapped-in (locked) into .125" (3.2) thick extruded aluminum blade braces and mechanically secured to 2" (51) x 3" (76) x 1/4" (4.7) extruded aluminum angle @ maximum 60" (1524) on centers.

FASTENERS

Plated steel, tek screw

MAXIMUM SIZE

Unlimited, with mullions, structural bracing supplied by others

MAXIMUM FACTORY ASSEMBLY SIZE

120" w x 84 h" or 84" w x 120" h (3048 x 2134) or (2134 x 3048)
 (allows for best handling)
 (Type of finish may limit maximum single section)

MULLION

Invisible

MINIMUM SIZE

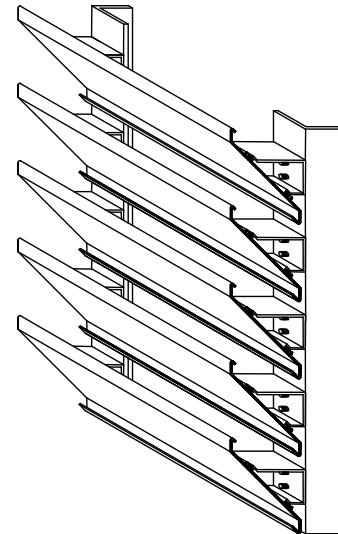
12"w x 12"h (305 x 305)

UNDERSIZED

1/4" (6) under ordered size unless specified Exact or Actual

FINISH

Kynar 500, 2-step color as selected



OPTIONAL CONSTRUCTION

BLADES AND SUPPORTS - Available in heavier extruded gauge

FINISH – Standard Mill, Air-dry primer, polyurethane, epoxy, or enamel, baked epoxy or enamel, or Powder coat.

MULLION – Visible for architectural preference

CORNERS – Mitered or Box

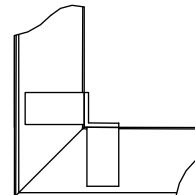
SPECIAL PURPOSE CONSTRUCTION

Special shapes: Triangle, Round, Trapezoid, etc.

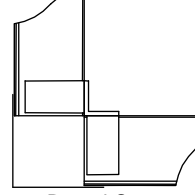
Fully welded construction

Security bars

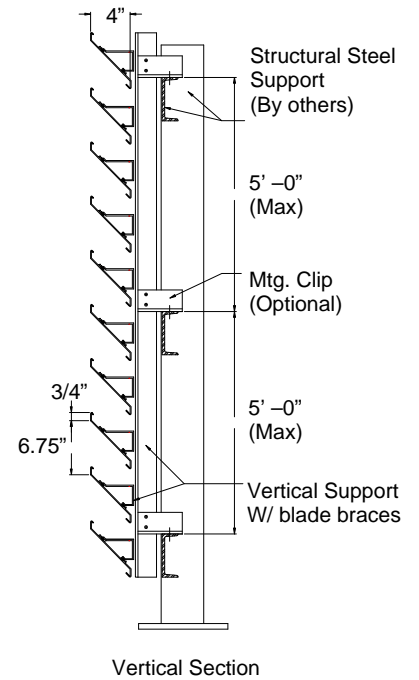
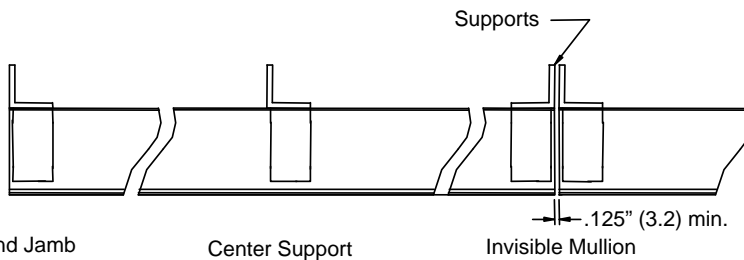
Hinged as walk through door or for swing out for access



Mitered Corner



Boxed Corner



DATE	ARCHITECT			CUSTOMER
PROJECT				
ITEM	QTY	W	H	DESCRIPTION



DOWCO PRODUCTS GROUP
 Engineering and General Offices
 1855 South 54th Avenue, Cicero, Illinois 60804
 Phone 708-652-9100 FAX 708-652-9158