

1" Architectural Window / Curtain Wall Glazing Adapter

Design Features – Glazing adapter provides ease for installing our 4" and 6" deep louvers into window or curtain wall systems.

STANDARD CONSTRUCTION

ADAPTER:

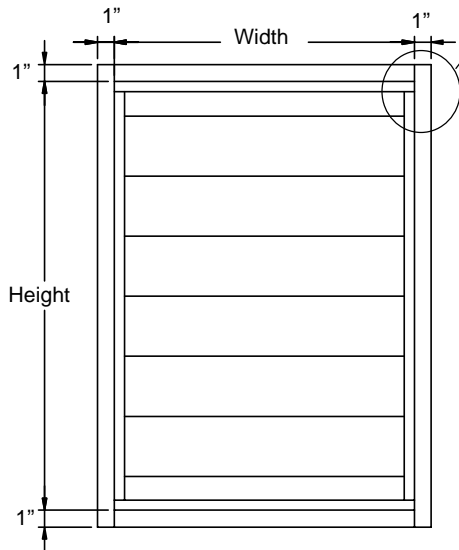
.081" thk. Extruded Aluminum, alloy 6063-T5

FINISH:

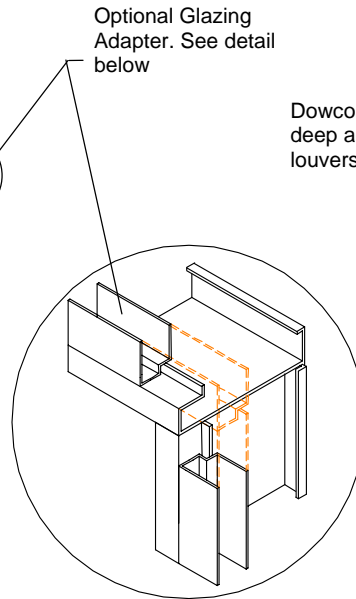
Same as the louvers

CURTAINWALL SYSTEMS AND GASKETS:

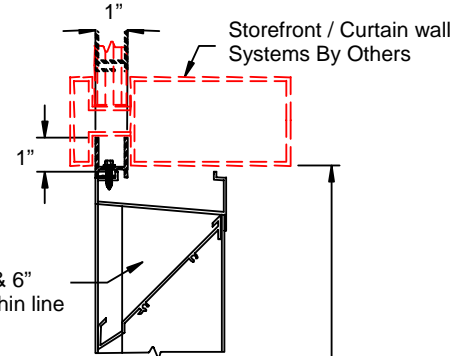
By others



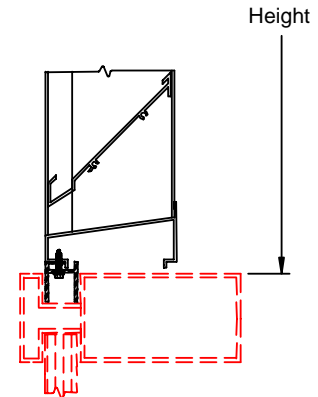
EXTERIOR ELEVATION



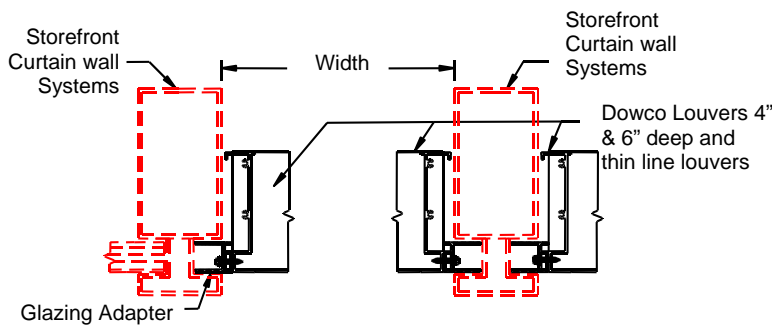
Dowco 4" & 6" deep and thin line louvers



SECTION - HEAD

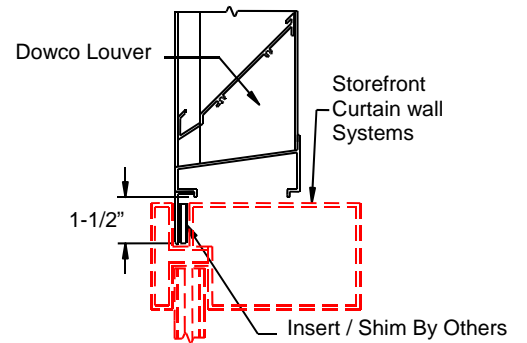


SECTION - SILL



SECTION - JAMB

INTERMEDIATE MULLION



OPTIONAL ADAPTER

| | | | | |
|---------|--------------------|---|---|-------------|
| DATE | ARCHITECT/ENGINEER | | | CUSTOMER |
| PROJECT | | | | |
| ITEM | QTY | W | H | DESCRIPTION |
| | | | | |
| | | | | |
| | | | | |
| | | | | |
| | | | | |